



Australian Government

IP Australia

# CERTIFICATE OF GRANT STANDARD PATENT

**Patent number:** 2020287387

The Commissioner of Patents has granted the above patent on 16 May 2024, and certifies that the below particulars have been registered in the Register of Patents.

**Name and address of patentee(s):**

TriAgenics, Inc. of 525 SW Umatilla Avenue, Suite 102 Redmond Oregon 97756 United States of America

**Title of invention:**

Ablation probe systems

**Name of inventor(s):**

COLBY, Leigh E.

**Term of Patent:**

Twenty years from 8 June 2020

**Priority details:**

<i>Number</i>	<i>Date</i>	<i>Filed with</i>
62/858,230	6 June 2019	US
62/876,574	19 July 2019	US
PCT/US2020/036508	5 June 2020	US



Dated this 16<sup>th</sup> day of May 2024

Commissioner of Patents

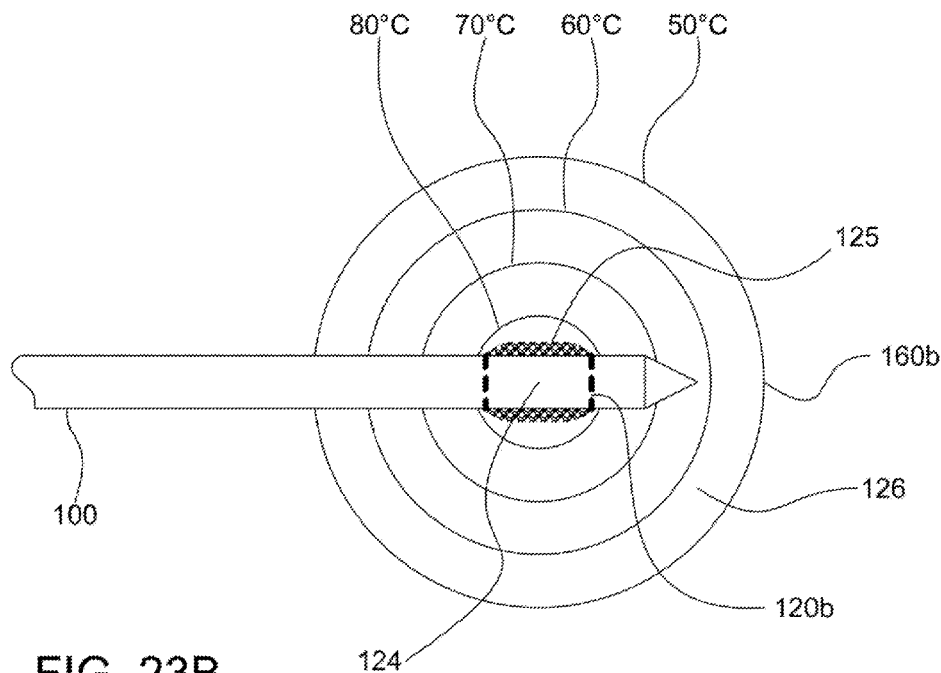
## PATENTS ACT 1990

The Australian Patents Register is the official record and should be referred to for the full details pertaining to this IP Right.



- (51) **International Patent Classification:**  
*A61B 18/18* (2006.01)      *A61B 18/12* (2006.01)  
*A61B 18/14* (2006.01)      *A61B 18/00* (2006.01)
- (21) **International Application Number:**  
PCT/US2020/036705
- (22) **International Filing Date:**  
08 June 2020 (08.06.2020)
- (25) **Filing Language:** English
- (26) **Publication Language:** English
- (30) **Priority Data:**  
62/858,230      06 June 2019 (06.06.2019)      US  
62/876,574      19 July 2019 (19.07.2019)      US  
PCT/US2020/036508  
05 June 2020 (05.06.2020)      US
- (71) **Applicant:** TRIAGENICS, INC. [US/US]; 3758 Pine Canyon Drive, Eugene, OR 97405 (US).
- (72) **Inventor:** COLBY, Leigh, E.; 3758 Pine Canyon Drive, Eugene, OR 97405 (US).
- (74) **Agent:** OSTER, Karen, Dana; Green, Howard, & Mughal, LLP, 5 Centerpointe Drive, Suite 400, Lake Oswego, OR 97035 (US).
- (81) **Designated States** (*unless otherwise indicated, for every kind of national protection available*): AE, AG, AL, AM, AO, AT, AU, AZ, BA, BB, BG, BH, BN, BR, BW, BY, BZ, CA, CH, CL, CN, CO, CR, CU, CZ, DE, DJ, DK, DM, DO, DZ, EC, EE, EG, ES, FI, GB, GD, GE, GH, GM, GT, HN, HR, HU, ID, IL, IN, IR, IS, JO, JP, KE, KG, KH, KN, KP, KR, KW, KZ, LA, LC, LK, LR, LS, LU, LY, MA, MD, ME, MG, MK, MN, MW, MX, MY, MZ, NA, NG, NI, NO, NZ, OM, PA, PE, PG, PH, PL, PT, QA, RO, RS, RU, RW, SA,

(54) **Title:** ABLATION PROBE SYSTEMS



**FIG. 23B**

(57) **Abstract:** An ablation probe tip (100) having a shaft (102) with an insertion end (104) and an annular aperture (120) near the insertion end (104). A center of ablation (124) is located within the shaft (102) and surrounded by the annular aperture shaft (102). The ablation probe tip (100) may be part of an ablation probe system (50) that includes an ablation source (60) that provides ablation means (62) to the ablation probe tip (100). The center of ablation (124) is a focal region from which the ablation means (62) radiates through the annular aperture (120) to form an ablation zone (150), (160), (170). The system (50) has at least one intra-operative control selected from the group of: ablation zone positioning control, ablation zone shaping control, ablation center control, ablation zone temperature control, guided ablation volume/diameter control, and power loading control.



SC, SD, SE, SG, SK, SL, ST, SV, SY, TH, TJ, TM, TN, TR,  
TT, TZ, UA, UG, US, UZ, VC, VN, WS, ZA, ZM, ZW.

- (84) Designated States** (*unless otherwise indicated, for every kind of regional protection available*): ARIPO (BW, GH, GM, KE, LR, LS, MW, MZ, NA, RW, SD, SL, ST, SZ, TZ, UG, ZM, ZW), Eurasian (AM, AZ, BY, KG, KZ, RU, TJ, TM), European (AL, AT, BE, BG, CH, CY, CZ, DE, DK, EE, ES, FI, FR, GB, GR, HR, HU, IE, IS, IT, LT, LU, LV, MC, MK, MT, NL, NO, PL, PT, RO, RS, SE, SI, SK, SM, TR), OAPI (BF, BJ, CF, CG, CI, CM, GA, GN, GQ, GW, KM, ML, MR, NE, SN, TD, TG).

**Declarations under Rule 4.17:**

- *of inventorship (Rule 4.17(iv))*

**Published:**

- *with international search report (Art. 21(3))*
- *before the expiration of the time limit for amending the claims and to be republished in the event of receipt of amendments (Rule 48.2(h))*

## ABLATION PROBE SYSTEMS

## BACKGROUND

5                   The present disclosure describes apparatuses,  
methods/procedures, and systems that generally relate to the technical field of  
ablation probes, and specifically relate to the technical field of microwave and  
radiofrequency ablation probes that have shaped and/or sized target tissue  
ablation zones that enable guided soft tissue ablation procedures that are  
10 more precise and predictable than procedures that are not guided.

                  The term “ablation” in the medical industry generally describes  
the removal of problematic (e.g. damaged, diseased, or otherwise undesired)  
tissue (target tissue) by less invasive techniques that generally employ a  
probe that operates through the cooling or heating of target tissue, although  
15 mechanical, electrical, chemical, and laser ablation technology can also used.  
Whereas “resection” involves partially or completely removing an organ by  
conventional surgical methods (i.e. use of a scalpel or saw to cut out tissue),  
medical ablation generally involves partially or completely removing or  
destroying a layer (or layers) of target tissue through a probe that employs  
20 thermal or non-thermal technology with the aim of restoring normal function  
that more selectively destroys the targeted tissue. The goal of ablation is to  
remove or destroy the target tissue (problematic tissue) with substantially less  
damage to surrounding tissue or structure compared to more invasive  
conventional surgical methods. Use of ablation technology can be used to  
25 treat a variety of medical conditions ranging from serious to cosmetic. Some  
of the more common types of ablation include surface ablation (used to  
remove a layer of target tissue to treat discoloration, improve skin texture, or  
removing superficial lesions, warts, or tumors), cardiac ablation (such as  
radiofrequency ablation (RFA) that is used to destroy target tissue in the heart  
30 associated with irregular heartbeats), endometrial microwave ablation (used  
to destroy the lining of the uterus to reduce or stop abnormal bleeding of the  
uterus), bone marrow ablation (used to remove bone marrow in advance of a



bone marrow transplant), and ablative brain surgery (used to treat certain neurological disorders) or microwave ablation (used to treat liver tumors without physically resecting the tumors).

Ablation may be performed using microwaves (e.g. microwave ablation (MWA) and microwave endometrial ablation (MEA)), radiofrequencies (e.g. radiofrequency ablation (RFA)), lasers (e.g. LASIK surgery), ultrasound (e.g. ultra-high intensity ultrasound), chemicals (e.g. chemoablation), low or cold temperatures (e.g. cryoablation), high or hot temperatures, electricity (e.g. fulguration, hot tip or cauterization, and others), and mechanical processes (e.g. rotablation). Microwave ablation is a form of thermal ablation that uses electromagnetic waves in the microwave energy spectrum (300 MHz to 300 GHz) to produce tissue-heating effects to generate tissue necrosis within solid tumors to treat cancer. Microwave endometrial ablation, for example, is one use of microwave ablation which uses microwaves at a fixed frequency to destroy the basal layer of the endometrium and the glands (sparing the remainder of the uterus) by heating them to over 60°C. Another well-established use of microwave ablation is liver tumor ablation, which is commonly performed at 500 MHz to 2.45 GHz. Radiofrequency ablation (RFA) is a medical procedure in which part of the electrical conduction system of the heart, tumor, or other dysfunctional tissue is ablated using the heat generated from medium frequency alternating current (in the range of 300–500 kHz).

One use for ablation is tooth bud ablation. Third molar formation predictably causes lifelong issues including complications, pain, tooth decay, gum disease, and/or abscesses with a rate of nearly 99% over the life of patients. Unfortunately, surgical extraction of fully formed third molars has a host of risks and complications, such as painful post-extraction osteitis or “dry sockets,” severe infections, temporary and permanent nerve damage, significant pain, temporary and permanent temporomandibular (TMJ) damage, and more. Historically, there have been suggestions and attempts to prevent the formation of third molars on a prophylactic basis before these problematic teeth completely form – such as those of Dr. Henry in 1969, Drs. Gordon & Laskin in 1978, and more recently by Dr. Silvestri in 2004 – to eliminate the disease conditions they predictably cause while eliminating the

surgical hazards. However, they have been manual systems that were difficult to implement, inconsistent, unpredictable, un-repeatable because they were manual and – as a result – have never been adopted by dental professionals.

5 Exemplary systems and methods of guided ablation for tooth bud ablation, such as those described in U.S. Patent No. 9,402,693, U.S. Patent No. 9,827,068, U.S. Patent No. 9,855,112, U.S. Patent No. 10,022,202, U.S. Patent No. 10,265,140, U.S. Patent No. 10,285,778, U.S. Patent No. 10,298,255, U.S. Patent No. 10,299,885, U.S. Patent Publication  
10 No. US2011/0200961, U.S. Patent Publication No. US2016/0324597, U.S. Patent Publication No. US2017/0360528, U.S. Patent Publication No. US2018/0091169, U.S. Patent Publication No. US2018/0153640, U.S. Patent Publication No. US2018/0318038, PCT Publication No. WO/2010/132368, PCT Publication No. WO/2014/143014, and related U.S. and foreign patent  
15 applications, all of which were invented by the inventor of the present invention and are owned by the applicant of the present application. The disclosures of these references, hereinafter referred to as the “Therapeutic Tooth Bud Ablation Properties” are hereby expressly incorporated by reference. The Therapeutic Tooth Bud Ablation Properties describe  
20 tooth bud ablation methods, systems, and procedures that result in tooth agenesis. These methods, systems, and procedures may include and/or use ablation probe tips and/or stents.

The NEUWAVE™ Microwave Ablation System is described as being able to ablate lesions with consistency and control to help protect non-  
25 target tissue. The NEUWAVE™ System includes features such as a computer controlled system for storing procedure data and ablation confirmation software to confirm technical success of procedures. It is described as having a burn pattern that controls the ablation distance past the probe tip by limiting the burn pattern past the tip. Even though NEUWAVE  
30 asserts that the PR probe “is the only probe available with a unique burn pattern that controls the ablation distance past the probe tip,” the NEUWAVE PR microwave ablation probe has serious limitations. The ablation produced by the PR probe encompasses the tip in 10 seconds and then burns “proximally.” This means that the burn pattern asymmetrically “creeps” or

migrates (which will be referred to generically as “migrates” or variations thereof) up the ablation probe tip (generally away from the absolute tip and toward a handle) with a resulting burn pattern that is so oblong that it is “hot dog” shaped, thus making minimally invasive soft tissue ablation procedures impossible.

Ablation zone migration up the probe tip (generally away from the absolute tip and toward a handle) shaft is a known problem throughout the medical ablation community and numerous attempts have been made to control this problem. For example, U.S. Patent No. 7,611,508 to Yang et al. sets forth an antenna for microwave tumor ablation that has coaxial antenna conductors surrounded by an insulated sleeve of a length and size promoting destructive interference of axial microwave energy passing inside and outside of the sleeve to limit the tail (which, like “creep,” will also be referred to generically as migration or variations thereof) of the burn pattern up the microwave ablation probe tip shaft. Yang’s floating sleeve provides destructive wave interference or cancellation of the microwave signal radiating out of the antennas, yet this documentation shows that this technique still results in a zone of ablation that asymmetrically migrates up the probe length during soft tissue ablation with a pattern that is so oblong that it appears to be “hot dog” shaped, thus making minimally invasive soft tissue ablation procedures impossible.

## SUMMARY

The present disclosure describes apparatuses, methods/procedures, and systems that generally relate to the technical field of medical ablation probes, and specifically relate to the technical field of microwave ablation probes and radiofrequency ablation probes that deliver shaped and/or sized target tissue ablation zones along with the ability to eliminate migration of the ablation zone (the burn pattern) up the probe tip shaft through a stationary center of ablation while simultaneously controlling power loading (power density) into the tissue to maximize or minimize peak temperatures in the active heating zone in the targeted ablation tissue.

A first preferred ablation probe tip preferably has a shaft with an insertion end. The ablation probe tip preferably receives ablation means from an ablation source. The ablation probe tip is preferably for ablating targeted tissue. The ablation probe tip preferably includes: the shaft, an annular aperture, and a center of ablation. The shaft preferably includes a coaxial antenna. The annular aperture is preferably defined in at least one outer layer of the coaxial antenna toward the insertion end. The center of ablation is preferably located within the coaxial antenna and surrounded by the annular aperture. The center of ablation can be considered a focal region from which the ablation means radiates through the annular aperture to form an ablation zone. The ablation zone preferably has a predetermined power loading density in the ablation zone.

In one alternative of the first preferred ablation probe tip, the ablation zone is for selectively ablating the targeted tissue while mitigating damage to immediately adjacent collateral tissues. In one alternative of the first preferred ablation probe tip, at least some of the targeted tissue is destroyed by the ablation zone.

In one alternative of the first preferred ablation probe tip, the annular aperture is preferably a short annular aperture that preferably creates a short active heating zone surrounding the annular aperture. The short active heating zone preferably creates high power loading in the ablation zone. The short active heating zone preferably creates high peak temperatures in the ablation zone.

In one alternative of the first preferred ablation probe tip, the annular aperture is preferably a medium annular aperture that preferably creates a medium active heating zone surrounding the annular aperture. The medium active heating zone preferably creates medium power loading in the ablation zone. The medium active heating zone preferably creates medium peak temperatures in the ablation zone.

In one alternative of the first preferred ablation probe tip, the annular aperture is preferably a long annular aperture that preferably creates a long active heating zone surrounding the annular aperture. The long active heating zone preferably creates low power loading in the ablation zone. The long active heating zone preferably creates low peak temperatures in the ablation zone.

In one alternative of the first preferred ablation probe tip, the coaxial antenna is preferably a near field antenna. The center of ablation is preferably a stationary center of ablation. The near field antenna preferably prevents the center of ablation from migrating up the shaft away from the insertion end.

One alternative of the first preferred ablation probe tip further includes an annular heat transfer layer surrounding the coaxial antenna. The annular heat transfer layer may surround the coaxial antenna and be spaced from the insertion end such that the annular aperture is between the annular heat transfer layer and the insertion end. The annular heat transfer layer preferably prevents the center of ablation from migrating up the shaft away from the insertion end.

In one alternative of the first preferred ablation probe tip, the ablation zone preferably has a predetermined shape selected from the group consisting of oblate, spherical, and oblong.

One alternative of the first preferred ablation probe tip further includes an annular heat transfer layer surrounding the coaxial antenna and spaced from the insertion end such that the annular aperture is between the annular heat transfer layer and the insertion end. The ablation zone preferably has a predetermined shape that is determined by an aperture offset. The aperture offset is preferably a distance between the center of ablation and an annular edge of the annular heat transfer layer. An oblate

ablation zone preferably has a relatively short aperture offset. An oblong ablation zone preferably has a relatively long aperture offset. A spherical ablation zone preferably has an aperture offset between the aperture offsets of the oblate ablation zone and the oblong ablation zone.

5                   One alternative of the first preferred ablation probe tip further includes an annular heat transfer layer that surrounds the coaxial antenna. The coaxial antenna further includes an insulation annular layer annularly surrounding the coaxial antenna. The annular heat transfer layer preferably annularly surrounds the insulation annular layer.

10                   In one alternative of the first preferred ablation probe tip, an antenna end load is preferably positioned between the annular aperture and the insertion end. The antenna end load may concentrate energy density and increase power loading.

15                   One alternative of the first preferred ablation probe tip further includes an annular heat transfer layer surrounding the coaxial antenna and spaced from the insertion end such that the annular aperture is between the annular heat transfer layer and the insertion end. The annular heat transfer layer preferably has high thermal conductivity and is preferably electrically conductive.

20                   In one alternative of the first preferred ablation probe tip, the coaxial antenna includes an inner conductor, an annular dielectric insulator layer surrounding the inner conductor, and an annular outer conductor surrounding the annular dielectric insulator layer. The annular aperture exposes an annular ring of the annular dielectric insulator layer.

25                   In one alternative of the first preferred ablation probe tip, the ablation probe tip is preferably part of a surgical ablation kit that includes an ablation source, a hand piece, a stent, and a prescription. The prescription preferably includes at least one setting or parameter selected from the group consisting of: ablation energy dose tolerances, levels of energy, and duration  
30 of energy deliverance.

In one alternative of the first preferred ablation probe tip, the ablation probe tip preferably works in conjunction with a stent. The stent preferably has a surgical guide. The surgical guide is preferably for guiding the ablation probe tip so that the center of ablation is within tissue.



In one alternative of the first preferred ablation probe tip, the coaxial antenna is preferably a near field reactive antenna.

One alternative of the first preferred ablation probe tip further includes an annular heat transfer layer surrounding the coaxial antenna and spaced from the insertion end such that the annular aperture is between the annular heat transfer layer and the insertion end. Preferably, the annular heat transfer layer blocks the ablation means from migrating up the shaft away from the insertion end. Preferably, the annular heat transfer layer allows thermal energy from the ablation zone to conduct up the shaft away from the insertion end.

In one alternative of the first preferred ablation probe tip, the ablation probe tip is preferably part of an ablation probe system that preferably has peak temperature intra-operative control selected from the group consisting of: passive cooling, active cooling, and a combination of passive and active cooling.

One alternative of the first preferred ablation probe tip further includes an annular heat transfer layer surrounding the coaxial antenna and spaced from the insertion end such that the annular aperture is between the annular heat transfer layer and the insertion end. The annular heat transfer layer is preferably quenched by transferring thermal energy from the annular heat transfer layer into soft tissue surrounding the annular heat transfer layer.

In one alternative of the first preferred ablation probe tip, the ablation probe tip is preferably part of an ablation probe system that preferably has intra-operative control of a volume of the ablation zone. In one alternative of the first preferred ablation probe tip, the ablation probe tip is preferably part of an ablation probe system that preferably has intra-operative control of a diameter of the ablation zone.

In one alternative of the first preferred ablation probe tip, the ablation probe tip and the ablation means together allow for at least one intra-operative control selected from the group consisting of: position of the ablation zone, shaping of the ablation zone, centering of the ablation zone, peak temperature of the ablation zone, volume of the ablation zone, and diameter of the ablation zone.

In one alternative of the first preferred ablation probe tip, the ablation probe tip is preferably a micro-ablation ablation probe tip.

In one alternative of the first preferred ablation probe tip, the ablation probe tip is preferably a microwave ablation probe tip. The  
5 microwave ablation probe tip may receive microwave energy from the ablation source as the ablation means. The microwave energy may be delivered to the target tissue via the ablation probe tip. The ablation source may provide microwave energy at frequencies ranging from 500 MHz to 20 GHz.

In one alternative of the first preferred ablation probe tip, the  
10 ablation probe tip is preferably a radiofrequency ablation probe tip.

A second preferred ablation probe tip preferably has a shaft with an insertion end. The ablation probe tip preferably receives ablation means from an ablation source. The ablation probe tip is preferably for ablating targeted tissue. The ablation probe tip preferably includes: the shaft, an  
15 annular aperture, and a center of ablation. The shaft preferably includes a coaxial antenna. The annular aperture is preferably defined in at least one outer layer of the coaxial antenna toward the insertion end. The center of ablation is preferably located within the coaxial antenna and surrounded by the annular aperture. The center of ablation can be considered a focal region  
20 from which the ablation means radiates through the annular aperture to form an ablation zone. The ablation zone preferably has a predetermined peak temperature in the ablation zone.

In one alternative of the second preferred ablation probe tip, the ablation zone is for selectively ablating the targeted tissue while mitigating  
25 damage to immediately adjacent collateral tissues. In one alternative of the second preferred ablation probe tip, at least some of the targeted tissue is destroyed by the ablation zone.

In one alternative of the second preferred ablation probe tip, the annular aperture is preferably a short annular aperture that preferably creates  
30 a short active heating zone surrounding the annular aperture. The short active heating zone preferably creates high power loading in the ablation zone. The short active heating zone preferably creates high peak temperatures in the ablation zone.

In one alternative of the second preferred ablation probe tip, the annular aperture is preferably a medium annular aperture that preferably creates a medium active heating zone surrounding the annular aperture. The medium active heating zone preferably creates medium power loading in the ablation zone. The medium active heating zone preferably creates medium peak temperatures in the ablation zone.

In one alternative of the second preferred ablation probe tip, the annular aperture is preferably a long annular aperture that preferably creates a long active heating zone surrounding the annular aperture. The long active heating zone preferably creates low power loading in the ablation zone. The long active heating zone preferably creates low peak temperatures in the ablation zone.

In one alternative of the second preferred ablation probe tip, the coaxial antenna is preferably a near field antenna. The center of ablation is preferably a stationary center of ablation. The near field antenna preferably prevents the center of ablation from migrating up the shaft away from the insertion end.

One alternative of the second preferred ablation probe tip further includes an annular heat transfer layer surrounding the coaxial antenna. The annular heat transfer layer may surround the coaxial antenna and be spaced from the insertion end such that the annular aperture is between the annular heat transfer layer and the insertion end. The annular heat transfer layer preferably prevents the center of ablation from migrating up the shaft away from the insertion end.

In one alternative of the second preferred ablation probe tip, the ablation zone preferably has a predetermined shape selected from the group consisting of oblate, spherical, and oblong.

One alternative of the second preferred ablation probe tip further includes an annular heat transfer layer surrounding the coaxial antenna and spaced from the insertion end such that the annular aperture is between the annular heat transfer layer and the insertion end. The ablation zone preferably has a predetermined shape that is determined by an aperture offset. The aperture offset is preferably a distance between the center of ablation and an annular edge of the annular heat transfer layer. An oblate

ablation zone preferably has a relatively short aperture offset. An oblong ablation zone preferably has a relatively long aperture offset. A spherical ablation zone preferably has an aperture offset between the aperture offsets of the oblate ablation zone and the oblong ablation zone.

5                    One alternative of the second preferred ablation probe tip further includes an annular heat transfer layer that surrounds the coaxial antenna. The coaxial antenna further includes an insulation annular layer annularly surrounding the coaxial antenna. The annular heat transfer layer preferably annularly surrounds the insulation annular layer.

10                    In one alternative of the second preferred ablation probe tip, an antenna end load is preferably positioned between the annular aperture and the insertion end. The antenna end load may concentrate energy density and increase power loading.

                         One alternative of the second preferred ablation probe tip further  
15 includes an annular heat transfer layer surrounding the coaxial antenna and spaced from the insertion end such that the annular aperture is between the annular heat transfer layer and the insertion end. The annular heat transfer layer preferably has high thermal conductivity and is preferably electrically conductive.

20                    In one alternative of the second preferred ablation probe tip, the coaxial antenna includes an inner conductor, an annular dielectric insulator layer surrounding the inner conductor, and an annular outer conductor surrounding the annular dielectric insulator layer. The annular aperture exposes an annular ring of the annular dielectric insulator layer.

25                    In one alternative of the second preferred ablation probe tip, the ablation probe tip is preferably part of a surgical ablation kit that includes an ablation source, a hand piece, a stent, and a prescription. The prescription preferably includes at least one setting or parameter selected from the group consisting of: ablation energy dose tolerances, levels of energy, and duration  
30 of energy deliverance.

                         In one alternative of the second preferred ablation probe tip, the ablation probe tip preferably works in conjunction with a stent. The stent preferably has a surgical guide. The surgical guide is preferably for guiding the ablation probe tip so that the center of ablation is within tissue.

In one alternative of the second preferred ablation probe tip, the coaxial antenna is preferably a near field reactive antenna.

One alternative of the second preferred ablation probe tip further includes an annular heat transfer layer surrounding the coaxial antenna and spaced from the insertion end such that the annular aperture is between the annular heat transfer layer and the insertion end. Preferably, the annular heat transfer layer blocks the ablation means from migrating up the shaft away from the insertion end. Preferably, the annular heat transfer layer allows thermal energy from the ablation zone to conduct up the shaft away from the insertion end.

In one alternative of the second preferred ablation probe tip, the ablation probe tip is preferably part of an ablation probe system that preferably has peak temperature intra-operative control selected from the group consisting of: passive cooling, active cooling, and a combination of passive and active cooling.

One alternative of the second preferred ablation probe tip further includes an annular heat transfer layer surrounding the coaxial antenna and spaced from the insertion end such that the annular aperture is between the annular heat transfer layer and the insertion end. The annular heat transfer layer is preferably quenched by transferring thermal energy from the annular heat transfer layer into soft tissue surrounding the annular heat transfer layer.

In one alternative of the second preferred ablation probe tip, the ablation probe tip is preferably part of an ablation probe system that preferably has intra-operative control of a volume of the ablation zone. In one alternative of the second preferred ablation probe tip, the ablation probe tip is preferably part of an ablation probe system that preferably has intra-operative control of a diameter of the ablation zone.

In one alternative of the second preferred ablation probe tip, the ablation probe tip and the ablation means together allow for at least one intra-operative control selected from the group consisting of: position of the ablation zone, shaping of the ablation zone, centering of the ablation zone, peak temperature of the ablation zone, volume of the ablation zone, and diameter of the ablation zone.

In one alternative of the second preferred ablation probe tip, the ablation probe tip is preferably a micro-ablation ablation probe tip.

In one alternative of the second preferred ablation probe tip, the ablation probe tip is preferably a microwave ablation probe tip. The  
5 microwave ablation probe tip may receive microwave energy from the ablation source as the ablation means. The microwave energy may be delivered to the target tissue via the ablation probe tip. The ablation source may provide microwave energy at frequencies ranging from 500 MHz to 20 GHz.

In one alternative of the second preferred ablation probe tip, the  
10 ablation probe tip is preferably a radiofrequency ablation probe tip.

A third preferred ablation probe tip preferably has a shaft with an insertion end. The ablation probe tip preferably receives ablation means from an ablation source. The ablation probe tip is preferably for ablating targeted tissue. The ablation probe tip preferably includes: the shaft, an annular  
15 aperture, and a center of ablation. The shaft preferably includes a coaxial antenna. The annular aperture is preferably defined in at least one outer layer of the coaxial antenna toward the insertion end. The center of ablation is preferably located within the coaxial antenna and surrounded by the annular aperture. The center of ablation can be considered a focal region from which  
20 the ablation means radiates through the annular aperture to form an ablation zone. The ablation zone preferably has an annular aperture and a power loading density in the ablation zone, the annular aperture and the power loading density being selected from the group consisting of: (a) a short annular aperture and high power loading; (b) a medium annular aperture and  
25 medium power loading; and (c) a long annular aperture and low power loading.

In one alternative of the third preferred ablation probe tip, the ablation zone is for selectively ablating the targeted tissue while mitigating damage to immediately adjacent collateral tissues. In one alternative of the  
30 third preferred ablation probe tip, at least some of the targeted tissue is destroyed by the ablation zone.

In one alternative of the third preferred ablation probe tip, the ablation zone preferably has a peak temperature in the ablation zone selected from the group consisting of: (a) if the annular aperture is a short annular



aperture, the peak temperature in the ablation zone is a high peak temperature; (b) if the annular aperture is a medium annular aperture, the peak temperature in the ablation zone is a medium peak temperature; and (c) if the annular aperture is a long annular aperture, the peak temperature in the ablation zone is a low peak temperature.

In one alternative of the third preferred ablation probe tip, the coaxial antenna is preferably a near field antenna. The center of ablation is preferably a stationary center of ablation. The near field antenna preferably prevents the center of ablation from migrating up the shaft away from the insertion end.

One alternative of the third preferred ablation probe tip further includes an annular heat transfer layer surrounding the coaxial antenna. The annular heat transfer layer may surround the coaxial antenna and be spaced from the insertion end such that the annular aperture is between the annular heat transfer layer and the insertion end. The annular heat transfer layer preferably prevents the center of ablation from migrating up the shaft away from the insertion end.

In one alternative of the third preferred ablation probe tip, the ablation zone preferably has a predetermined shape selected from the group consisting of oblate, spherical, and oblong.

One alternative of the third preferred ablation probe tip further includes an annular heat transfer layer surrounding the coaxial antenna and spaced from the insertion end such that the annular aperture is between the annular heat transfer layer and the insertion end. The ablation zone preferably has a predetermined shape that is determined by an aperture offset. The aperture offset is preferably a distance between the center of ablation and an annular edge of the annular heat transfer layer. An oblate ablation zone preferably has a relatively short aperture offset. An oblong ablation zone preferably has a relatively long aperture offset. A spherical ablation zone preferably has an aperture offset between the aperture offsets of the oblate ablation zone and the oblong ablation zone.

One alternative of the third preferred ablation probe tip further includes an annular heat transfer layer that surrounds the coaxial antenna. The coaxial antenna further includes an insulation annular layer annularly

surrounding the coaxial antenna. The annular heat transfer layer preferably annularly surrounds the insulation annular layer.

5 In one alternative of the third preferred ablation probe tip, an antenna end load is preferably positioned between the annular aperture and the insertion end. The antenna end load may concentrate energy density and increase power loading.

10 One alternative of the third preferred ablation probe tip further includes an annular heat transfer layer surrounding the coaxial antenna and spaced from the insertion end such that the annular aperture is between the annular heat transfer layer and the insertion end. The annular heat transfer layer preferably has high thermal conductivity and is preferably electrically conductive.

15 In one alternative of the third preferred ablation probe tip, the coaxial antenna includes an inner conductor, an annular dielectric insulator layer surrounding the inner conductor, and an annular outer conductor surrounding the annular dielectric insulator layer. The annular aperture exposes an annular ring of the annular dielectric insulator layer.

20 In one alternative of the third preferred ablation probe tip, the ablation probe tip is preferably part of a surgical ablation kit that includes an ablation source, a hand piece, a stent, and a prescription. The prescription preferably includes at least one setting or parameter selected from the group consisting of: ablation energy dose tolerances, levels of energy, and duration of energy deliverance.

25 In one alternative of the third preferred ablation probe tip, the ablation probe tip preferably works in conjunction with a stent. The stent preferably has a surgical guide. The surgical guide is preferably for guiding the ablation probe tip so that the center of ablation is within tissue.

In one alternative of the third preferred ablation probe tip, the coaxial antenna is preferably a near field reactive antenna.

30 One alternative of the third preferred ablation probe tip further includes an annular heat transfer layer surrounding the coaxial antenna and spaced from the insertion end such that the annular aperture is between the annular heat transfer layer and the insertion end. Preferably, the annular heat transfer layer blocks the ablation means from migrating up the shaft away

from the insertion end. Preferably, the annular heat transfer layer allows thermal energy from the ablation zone to conduct up the shaft away from the insertion end.

5 In one alternative of the third preferred ablation probe tip, the ablation probe tip is preferably part of an ablation probe system that preferably has peak temperature intra-operative control selected from the group consisting of: passive cooling, active cooling, and a combination of passive and active cooling.

10 One alternative of the third preferred ablation probe tip further includes an annular heat transfer layer surrounding the coaxial antenna and spaced from the insertion end such that the annular aperture is between the annular heat transfer layer and the insertion end. The annular heat transfer layer is preferably quenched by transferring thermal energy from the annular heat transfer layer into soft tissue surrounding the annular heat transfer layer.

15 In one alternative of the third preferred ablation probe tip, the ablation probe tip is preferably part of an ablation probe system that preferably has intra-operative control of a volume of the ablation zone. In one alternative of the third preferred ablation probe tip, the ablation probe tip is preferably part of an ablation probe system that preferably has intra-operative control of a diameter of the ablation zone.

20 In one alternative of the third preferred ablation probe tip, the ablation probe tip and the ablation means together allow for at least one intra-operative control selected from the group consisting of: position of the ablation zone, shaping of the ablation zone, centering of the ablation zone, peak temperature of the ablation zone, volume of the ablation zone, and diameter of the ablation zone.

In one alternative of the third preferred ablation probe tip, the ablation probe tip is preferably a micro-ablation ablation probe tip.

30 In one alternative of the third preferred ablation probe tip, the ablation probe tip is preferably a microwave ablation probe tip. The microwave ablation probe tip may receive microwave energy from the ablation source as the ablation means. The microwave energy may be delivered to the target tissue via the ablation probe tip. The ablation source may provide microwave energy at frequencies ranging from 500 MHz to 20 GHz.

In one alternative of the third preferred ablation probe tip, the ablation probe tip is preferably a radiofrequency ablation probe tip.

A fourth preferred ablation probe tip preferably has a shaft with an insertion end. The ablation probe tip preferably receives ablation means from an ablation source. The ablation probe tip is preferably for ablating targeted tissue. The ablation probe tip preferably includes: the shaft, an annular aperture, and a center of ablation. The shaft preferably includes a coaxial antenna. The annular aperture is preferably defined in at least one outer layer of the coaxial antenna toward the insertion end. The center of ablation is preferably located within the coaxial antenna and surrounded by the annular aperture. The center of ablation can be considered a focal region from which the ablation means radiates through the annular aperture to form an ablation zone. The ablation zone preferably has an annular aperture and a peak temperature in the ablation zone, the annular aperture and the peak temperature selected from the group consisting of: (i) a short annular aperture and high peak temperature; (ii) a medium annular aperture and medium peak temperature; and (iii) a long annular aperture and low peak temperature.

In one alternative of the fourth preferred ablation probe tip, the ablation zone is for selectively ablating the targeted tissue while mitigating damage to immediately adjacent collateral tissues. In one alternative of the fourth preferred ablation probe tip, at least some of the targeted tissue is destroyed by the ablation zone.

In one alternative of the fourth preferred ablation probe tip, the coaxial antenna is preferably a near field antenna. The center of ablation is preferably a stationary center of ablation. The near field antenna preferably prevents the center of ablation from migrating up the shaft away from the insertion end.

One alternative of the fourth preferred ablation probe tip further includes an annular heat transfer layer surrounding the coaxial antenna. The annular heat transfer layer may surround the coaxial antenna and be spaced from the insertion end such that the annular aperture is between the annular heat transfer layer and the insertion end. The annular heat transfer layer preferably prevents the center of ablation from migrating up the shaft away from the insertion end.

In one alternative of the fourth preferred ablation probe tip, the ablation zone preferably has a predetermined shape selected from the group consisting of oblate, spherical, and oblong.

5 One alternative of the fourth preferred ablation probe tip further includes an annular heat transfer layer surrounding the coaxial antenna and spaced from the insertion end such that the annular aperture is between the annular heat transfer layer and the insertion end. The ablation zone preferably has a predetermined shape that is determined by an aperture offset. The aperture offset is preferably a distance between the center of  
10 ablation and an annular edge of the annular heat transfer layer. An oblate ablation zone preferably has a relatively short aperture offset. An oblong ablation zone preferably has a relatively long aperture offset. A spherical ablation zone preferably has an aperture offset between the aperture offsets of the oblate ablation zone and the oblong ablation zone.

15 One alternative of the fourth preferred ablation probe tip further includes an annular heat transfer layer that surrounds the coaxial antenna. The coaxial antenna further includes an insulation annular layer annularly surrounding the coaxial antenna. The annular heat transfer layer preferably annularly surrounds the insulation annular layer.

20 In one alternative of the fourth preferred ablation probe tip, an antenna end load is preferably positioned between the annular aperture and the insertion end. The antenna end load may concentrate energy density and increase power loading.

25 One alternative of the fourth preferred ablation probe tip further includes an annular heat transfer layer surrounding the coaxial antenna and spaced from the insertion end such that the annular aperture is between the annular heat transfer layer and the insertion end. The annular heat transfer layer preferably has high thermal conductivity and is preferably electrically conductive.

30 In one alternative of the fourth preferred ablation probe tip, the coaxial antenna includes an inner conductor, an annular dielectric insulator layer surrounding the inner conductor, and an annular outer conductor surrounding the annular dielectric insulator layer. The annular aperture exposes an annular ring of the annular dielectric insulator layer.

In one alternative of the fourth preferred ablation probe tip, the ablation probe tip is preferably part of a surgical ablation kit that includes an ablation source, a hand piece, a stent, and a prescription. The prescription preferably includes at least one setting or parameter selected from the group  
5 consisting of: ablation energy dose tolerances, levels of energy, and duration of energy deliverance.

In one alternative of the fourth preferred ablation probe tip, the ablation probe tip preferably works in conjunction with a stent. The stent preferably has a surgical guide. The surgical guide is preferably for guiding  
10 the ablation probe tip so that the center of ablation is within tissue.

In one alternative of the fourth preferred ablation probe tip, the coaxial antenna is preferably a near field reactive antenna.

One alternative of the fourth preferred ablation probe tip further includes an annular heat transfer layer surrounding the coaxial antenna and  
15 spaced from the insertion end such that the annular aperture is between the annular heat transfer layer and the insertion end. Preferably, the annular heat transfer layer blocks the ablation means from migrating up the shaft away from the insertion end. Preferably, the annular heat transfer layer allows thermal energy from the ablation zone to conduct up the shaft away from the  
20 insertion end.

In one alternative of the fourth preferred ablation probe tip, the ablation probe tip is preferably part of an ablation probe system that preferably has peak temperature intra-operative control selected from the  
group consisting of: passive cooling, active cooling, and a combination of  
25 passive and active cooling.

One alternative of the fourth preferred ablation probe tip further includes an annular heat transfer layer surrounding the coaxial antenna and spaced from the insertion end such that the annular aperture is between the  
annular heat transfer layer and the insertion end. The annular heat transfer  
30 layer is preferably quenched by transferring thermal energy from the annular heat transfer layer into soft tissue surrounding the annular heat transfer layer.

In one alternative of the fourth preferred ablation probe tip, the ablation probe tip is preferably part of an ablation probe system that preferably has intra-operative control of a volume of the ablation zone. In one



alternative of the fourth preferred ablation probe tip, the ablation probe tip is preferably part of an ablation probe system that preferably has intra-operative control of a diameter of the ablation zone.

5 In one alternative of the fourth preferred ablation probe tip, the ablation probe tip and the ablation means together allow for at least one intra-operative control selected from the group consisting of: position of the ablation zone, shaping of the ablation zone, centering of the ablation zone, peak temperature of the ablation zone, volume of the ablation zone, and diameter of the ablation zone.

10 In one alternative of the fourth preferred ablation probe tip, the ablation probe tip is preferably a micro-ablation ablation probe tip.

In one alternative of the fourth preferred ablation probe tip, the ablation probe tip is preferably a microwave ablation probe tip. The microwave ablation probe tip may receive microwave energy from the ablation  
15 source as the ablation means. The microwave energy may be delivered to the target tissue via the ablation probe tip. The ablation source may provide microwave energy at frequencies ranging from 500 MHz to 20 GHz.

In one alternative of the fourth preferred ablation probe tip, the ablation probe tip is preferably a radiofrequency ablation probe tip.

20 Objectives, features, combinations, and advantages described and implied herein will be more readily understood upon consideration of the following detailed description of the invention, taken in conjunction with the accompanying drawings. The subject matter described herein is also particularly pointed out and distinctly claimed in the concluding portion of this  
25 specification.

## DESCRIPTION OF THE DRAWINGS

The accompanying drawings illustrate various exemplary ablation probe systems, components of various exemplary ablation probe systems, and/or provide teachings by which the various exemplary ablation probe systems are more readily understood.

FIG. 1A is a simplified block diagram of an ablation probe system, a custom physical surgical stent, and a soft tissue ablation site.

FIG. 1B is a simplified display showing virtual surgical guide angle markings, a virtual stop marking, and virtual target markings guiding a representation of a sensed hand piece and ablation probe tip.

FIG. 2 is a simplified cross-sectional view of an exemplary soft tissue ablation site within an oral cavity, the ablation probe tip positioned by the stent such that the center of ablation is within the soft tissue.

FIG. 3 is a simplified cross-sectional view of an exemplary soft tissue ablation site within an oral cavity, the ablation probe tip positioned by the stent such that the center of ablation is within the soft tissue, radiating arrows representing an exemplary ablation zone.

FIG. 4 is a cross-sectional view of tissue having a “middle” with radiating arrows representing an exemplary ablation zone and the oval outline representing predetermined outer limits of the ablation zone.

FIG. 5 is a computed tomography (CT) cross-sectional image of an axial view of a tooth bud.

FIG. 6 is a CT cross-sectional image of a coronal view of a tooth bud.

FIG. 7 is a CT cross-sectional image of a sagittal view of a tooth bud.

FIG. 8 is a cross-sectional view of an ablation probe.

FIG. 9 is a cross-sectional view of an ablation probe and three different predetermined ablation zone shapes.

FIG. 10 is a cross-sectional view of an ablation probe and exemplary energy flow.

FIG. 11 is a cross-sectional view of an ablation probe and an oblate ablation zone.

FIG. 12 is a cross-sectional view of an ablation probe and a spherical ablation zone.

FIG. 13 is a cross-sectional view of an ablation probe and an oblong ablation zone.

5 FIG. 14A is a graphical representation of an ablation probe and an oblate (aspect ratio  $> 1.0$ ) heating pattern that results in an oblate soft tissue ablation zone.

10 FIG. 14B is a graphical representation of an ablation probe and a spherical (aspect ratio = 1.0) heating pattern that results in a spherical soft tissue ablation zone.

FIG. 14C is a graphical representation of an ablation probe and an oblong (aspect ratio  $< 1.0$ ) heating pattern that results in an oblong soft tissue ablation zone.

15 FIG. 15A is a photographic representation of an ablation probe and an oblate (aspect ratio  $> 1.0$ ) heating pattern that results in an oblate soft tissue ablation zone.

FIG. 15B is a photographic representation of an ablation probe and a spherical (aspect ratio = 1.0) heating pattern that results in a spherical soft tissue ablation zone.

20 FIG. 15C is a photographic representation of an ablation probe and an oblong (aspect ratio  $< 1.0$ ) heating pattern that results in an oblong soft tissue ablation zone.

25 FIG. 16A is a photographic representation that shows the adverse impact of using conventional medical ablation at 2.45 GHz that results in an oblong soft tissue ablation zone.

FIG. 16B is a photographic representation of that shows a zone of ablation produced at a higher frequency (8 GHz) that results in an oblong, tear-drop shaped soft tissue ablation zone.

30 FIG. 16C is a photographic representation of that shows a spherical zone of ablation (measured at sixty degrees Celsius ( $60^{\circ}\text{C}$ )) generated using the tooth bud ablation probe described herein.

FIG. 17 shows the results of an exemplary probe experiment related to roundness at sixty degrees Celsius ( $60^{\circ}\text{C}$ ).

FIG. 18 shows the effects of power and time on the cross-sectional ablation zone area in an exemplary modeling that describes the volume of ablation.

FIG. 19 is a simplified view showing an ablation probe  
5 maintaining a stationary center of ablation with no asymmetrical migration of the ablation zone up the probe tip shaft.

FIG. 20A is a photographic representation of an ablation probe with the center of soft tissue ablation generating temperatures in excess of one hundred degrees Celsius ( $100^{\circ}\text{C}$ ), the steam generated as a result shown  
10 as the wavy rings.

FIG. 20B is a photographic representation of an ablation probe with the center of soft tissue ablation generating temperatures remaining below one hundred degrees Celsius ( $100^{\circ}\text{C}$ ), the rings being more regular since no steam is present.

FIG. 21 is a photographic representation that shows an under  
15 ablation-zone, a correct ablation zone, and an over-ablation zone.

FIG. 22 shows the results of an exemplary probe experiment correlating ablation zone diameter (in mm) to ablation duration (in seconds).

FIG. 23A is a graphical representation of an ablation probe with  
20 a short annular aperture (bounding a small focal region) and a short active heating zone that creates high power loading in the ablation zone.

FIG. 23B is a graphical representation of an ablation probe with a medium annular aperture (bounding a medium focal region) and a medium active heating zone that creates medium power loading in the ablation zone.

FIG. 23C is a graphical representation of an ablation probe with  
25 a long annular aperture (bounding a large focal region) and a long active heating zone that creates low power loading in the ablation zone.

FIG. 24A is a photographic representation of an ablation probe with a small focal region creating high power loading in the ablation zone.

FIG. 24B is a photographic representation of an ablation probe with a medium focal region creating medium power loading in the ablation  
30 zone.

FIG. 24C is a photographic representation of an ablation probe with a large focal region creating low power loading in the ablation zone.

The drawing figures are not necessarily to scale. Certain features or components herein may be shown in somewhat schematic form and some details of conventional elements may not be shown or described in the interest of clarity and conciseness. For example, even though a tooth bud is shown, any soft tissue can be considered. The drawing figures are hereby incorporated in and constitute a part of this specification.

## DETAILED DESCRIPTION

The present disclosure describes apparatuses, methods/procedures, and systems that generally relate to the technical field of medical ablation probes. Some of the preferred apparatuses, methods/procedures, and systems described herein specifically relate to the technical field of microwave ablation (MWA) and radiofrequency ablation (RFA) probes that deliver controlled zones of soft tissue ablation. Although the apparatuses, methods/procedures, and systems could be applied to any type of target tissue, tooth buds will be used as an exemplary target tissue throughout this document.

The ablation probe system (also referred to as “tooth bud ablation technology” or “micro-ablation technology”) described herein allows the operator to precisely control at least one or more intra-operative parameters to deliver predictable clinical outcomes. Specific intra-operative controls include:

- I. Volume scan imaging guided positioning control (also referred to herein as “ablation zone positioning control” or “positioning control”);
- II. Ablation zone shaping control (also referred to as “ablation zone shaping” or “shape ablation control”);
- III. Ablation center control (also referred to as centering-directed ablation control);
- IV. Ablation zone temperature control;
- V. Guided ablation volume/diameter control (also referred to as “ablation zone volume/diameter control”); and
- VI. Power loading control (also referred to as “power density control”).

Controlling various combinations of these controls and their respective parameters results in highly selective ablation of the targeted tissues while mitigating damage to immediately adjacent collateral tissues.

The ablation probe system, as described herein, may be implemented as surgical micro-ablation kits (also referred to as “surgical kits,” “surgical ablation kit,” or “micro-ablation kits”) that preferably contain a



patient-specific micro-ablation probe (that may or may not be disposable) and a patient-specific high precision surgical guide (that may be a physical disposable guide as shown in FIG. 1A or a virtual guide as shown in FIG. 1B) used to position the probe during ablation. The high precision surgical guide is preferably suitable for directing the micro-ablation probe's center of ablation to within (and preferably the middle of) the tissue. Surgical kits may also include a "prescription" that indicates ablation energy dose tolerances and settings (e.g. level of energy and duration of energy deliverance) that should result in ablation of the targeted or predetermined volume of soft tissue. The micro-ablation kits may include and/or be used with an ablation source (e.g. a "smart" micro-ablation generator) and a hand piece.

The apparatuses, methods/procedures, and systems described herein produce zones of heating (ablation zones) that result in a defined volume of tissue hyperthermia. This focal hyperthermia induces a selective zone of cell death due to localized thermocoagulative necrosis that leads to tooth agenesis when a sufficient volume of tooth bud tissue has been destroyed (i.e. killing the cells, but destroying the tissue). The ablation, therefore, removes or destroys the predetermined target tissue while minimally damaging surrounding tissue or structure compared to more invasive conventional surgical techniques. Once the targeted tissue is destroyed, then the body's normal healing mechanisms will remove the destroyed tissue.

Live animal trials of tooth bud ablation using the apparatuses, methods/procedures, and systems described herein, have delivered microwave energy into the soft tissue at frequencies ranging from 500 MHz up to 20 GHz. Testing results from these trials have shown a 100% success of ablating target tissue ablation zones and clinically induced complete molar tooth agenesis with limited damage to adjacent non-target tissues. Further, there is excellent healing with all dead tissue removed, complete infilling of the bone, and no sign of any tooth formation arising from the targeted tooth bud within 4-6 weeks following treatment. Testing results show that using the ablation probe system will allow dental practitioners to deliver 20-40 second micro-ablation tooth bud ablation treatments in a highly controlled fashion

when at least one of the intra-operative controls of the ablation probe system is employed.

The micro-ablation technology described herein is believed to be unique because it is the only known medical micro-ablation process with the ability to concurrently control positioning, shape, centering, peak temperature, and volume and/or diameter of the targeted ablation tissue.

There are many possible advantages of the preferred ablation probe systems 50 described herein. Some possible preferred advantages include, but are not limited to, the following advantages:

- 10           • Because of the heat transfer mechanisms, preferred ablation probe systems 50 can yield 20-40 second ablation times without overheating the tissue (and thereby avoiding tissue charring) with the possibility that longer ablation times can be used when lower power densities (power loading) are employed or when larger ablation volumes are prescribed.
- 15           • The energy dose delivered by preferred ablation probe systems 50 can be monitored and controlled for repeatability over a wide range of clinical conditions and operator skills.
- 20           • Preferred ablation probe systems 50 have ablation probe tips 100 (also referred to as probe tips 100, micro-ablation probe tips 100, and micro-ablation ablation probe tips 100) with shafts having a diameter of 3.8 mm (the diameter of a 7-gauge needle) down to 1.0 mm or less (the diameter of a 20-gauge needle) for applications that require such small dimensions.
- 25           • Because the ablation probe's center of ablation 124 (focal region 124) is stationary (the center of ablation 124 does not migrate during treatment), predetermining the outer margins of the ablation zone 150, 160, 170 to encompass only targeted tissues (e.g. at least part of a tooth bud 92) becomes significantly more predictable while reducing the risk of ablating surrounding tissue.
- 30           • The center of ablation 124 (focal region 124) is predetermined and, because it is stationary, its location remains known. The location of the active heating zone 125 surrounding the focal region 124 (and

the tissue peak temperatures of the active heating zone 125), therefore, are significantly more predictable. When operating with a known power input the predictability of the active heating zone 125 at least reduces (and possibly eliminates) tissue “charring” into a black, undefined mass which, in turn, reduces (and possibly eliminates) the risk of adverse post operative healing (such as scarring).

Before describing the ablation apparatuses, methods/procedures, and systems and the figures, some of the terminology should be clarified. Please note that the terms and phrases may have additional definitions and/or examples throughout the specification. Where otherwise not specifically defined, words, phrases, and acronyms are given their ordinary meaning in the art. The following paragraphs provide basic parameters for interpreting terms and phrases used herein.

- The term “tissue” is meant to describe any of the distinct types of material of which people or animals are made, consisting of specialized cells and their products. The tissue may be soft tissue. The phrase “target tissue” (also referred to as “targeted tissue”) is meant to describe the tissue that is desired to be ablated. Exemplary target tissue might be a tooth bud or a tumor. The phrase “surrounding tissue” is meant to describe the tissue surrounding the target tissue that should not be ablated.
- The term “middle” (used in the phrases “middle of the tooth bud” or “middle of the tissue”) is meant to describe a position within the targeted tissue (e.g. a tooth bud). The middle is not necessarily the absolute “middle” of the tissue. A “calculated middle” of the tissue to be ablated may be calculated by methods including, but not limited to, those using volume, three-dimensional position, and/or other known or yet to be discovered methods. A “predetermined middle” (or “predetermined position”) may be the “calculated middle” of the tissue to be ablated or it may just be a known position within the tissue to be ablated. Unless specifically noted otherwise, where the

“middle” is discussed, a calculated and/or predetermined middle within the tissue may be used.

- 5                   • The phrase “ablation zone” (also referred to as “zone of soft tissue ablation,” “controlled zone of soft tissue ablation,” “zone of ablation,” “zone of heating,” and “zone of temperature control”) is meant to describe the area in which ablation will be created or has been created. Ideally, the ablation zone is substantially coextensive with the target tissue. The target tissue can also be thought of as the target ablation zone. The ablation zone has a three-dimensional area or volume even though photos and drawings herein may render them to appear as a two-dimensional image.
- 10                   • The term “micro-ablation” is meant to describe ablations that are smaller than 25.00 mm in diameter for use on smaller anatomical structures, such as a tooth bud, although they can be larger and used on tumors that exceed 5 cm in diameter. For micro-ablations, the probe tip 100 would be a micro-ablation probe tip. Unless specified otherwise, the phrase “probe tip” will include micro-ablation probe tips.
- 15                   • The phrase “ablation means” (as in ablation means 62) is meant to describe the mechanism (e.g. energy) by which ablation or micro-ablation is performed. Preferred ablation means may be energy such as microwave (MW) and/or radiofrequency (RF) and, in particular, microwave ablation energy in the range of 500 MHz to 20 GHz (broad spectrum) and radiofrequency ablation energy in the range of less than 500 MHz. This range would include both microwave ablation energy and RF ablation energy. The ablation means 62 is provided by an ablation source 60.
- 20                   • The phrase “ablation source” (as in ablation source 60) is meant to describe the mechanism by which the ablation means is produced. The ablation source 60 may be a purpose-built ablation source such as a “smart” micro-ablation generator. The ablation source may be a generator and/or an amplifier (jointly referred to as a generator). If the ablation means 62 is microwave ablation means, the ablation
- 25
- 30

source 60 may be a microwave generator. If the ablation means 62 is radiofrequency ablation means, the ablation source 60 may be a radiofrequency generator. If the ablation source 60 is a "smart" generator it may be loaded with the procedure parameters (e.g. time, temperature, rate of energy delivered, frequency, and other parameters) that can then deliver the ablation means based on those parameters to the target tissue. A smart generator may have error checking and safety measures. For example, a smart generator can monitor for bad probe tips 100 by measuring forward power/energy and reflected power/energy to measure the total power/energy (energy/time) being delivered into the ablation zone. If the smart generator cannot reach the prescribed energy level and/or cannot maintain the prescribed energy level, then the procedure is stopped and an error message is generated.

- The phrases "center of ablation" and "focal region" are meant to describe the portion of the inner conductor 112 that is bounded by the annular aperture 120 from which the ablation means 62 radiates. An active heating zone 125 surrounds the focal region 124. Surrounding the active heating zone 125 is an ablation zone 150, 160, 170. As shown in FIGS. 23A-23C, for example, the area of the ablation zone 160a, 160b, 160c (which are variations of the spherical ablation zone 160) beyond the active heating zone 125 is a thermal heating zone 126 (created by thermal conduction).
- The phrases "active heating zone," "tissue active heating zone," "tissue zone of active heating," "zone of active heating," "active zone of heating," and variations thereof are meant to describe the target tissue within the ablation zone 150, 160, 170 that the ablation means 62 initially enters. As shown in FIGS. 23A-23C, for example, the active heating zone 125 is at least substantially annularly adjacent to annular aperture 120 of the probe tip 100. The active heating zone 125 is where the radiative energy is converted from radiative energy to thermal energy. The tissue within the ablation zone 150, 160, 170 that is located outside of the active heating zone 125 (i.e. within the

thermal heating zone 126) still incurs cell death, but cell death within the thermal heating zone 126 is caused by heat conducting outwards from the active heating zone 125.

- 5           • The phrases “power loading,” “power density,” “power loading density,” and “volume power density” describe the amount of energy (e.g. microwave or radiofrequency energy) as a function of time (power being a unit of energy being delivered per unit of time) being delivered into the active heating zone 125. For example, a dipole antenna (a longer and lower power loading antenna) with no end load and a lower capacitive coupling will generally be two to four 10 times longer than the shown shorter and higher power loading end-loaded antenna (e.g. an ablation probe tip 100 having an end load 122). In this example, microwave energy spreads over the longer antenna in a predefined fashion before radiating outwards into the active heating zone 125. The spread of the energy in the longer 15 antenna results in a power loading density in the active heating zone 125 that is two to four times lower when compared to the higher power loading in the shorter antenna delivering the same amount of energy per unit of time.
- 20           • The term “profile” (as used in the phrases “ablation zone profile,” “probe profile,” “ablation profile,” “probe ablation profile,” and “ablation zone margins” or “ablation zone tissue margins” is meant to describe the known attributes and variables of the ablation zone associated with a particular ablation probe system 50 and/or the 25 ablation zones 150, 160, 170 it produces in soft tissues. These attributes and variables include, but are not limited to, the shape (e.g. oblate, spherical, oblong) of the ablation zone the ablation probe system 50 produces, the size (e.g. dimensions and volume) of the ablation zone the ablation probe system 50 produces, the 30 location of the ablation zone along the length of the probe tip 100, the temperature of the ablation zone the ablation probe system 50 produces, and the time (duration) it takes the ablation probe system 50 to produce the ablation zone. The attributes and variables may

be interrelated with each other. For example, the size of the ablation zone the ablation probe system 50 produces may be directly related to how much ablation means 62 (e.g. microwave energy) is used and how long the ablation means 62 is used. Using an ablation probe system 50 having the appropriate profile with the appropriate input for the appropriate duration will produce the desired ablation zones 150, 160, 170.

- The phrase “volume scan” (as well as “volume scanning” and other variations used herein) is meant to include any volume scanning technology known or yet to be discovered that at least relatively safely accurately generates the necessary multi-dimensional images that can be used in medical procedures. Exemplary volume scan imaging includes, but is not limited to, computed tomography (CT) (e.g. cone beam computed tomography (CBCT)), X-ray, magnetic resonance imaging (MRI), ultrasound, nuclear medicine imaging (e.g. positron-emission tomography (PET)), and other types of volume scan imaging or three-dimensional soft tissue imaging that may be used or be adapted to be used to implement the functions described herein. The phrase and variations thereof may be used as a noun (e.g. the image) or a verb (the process of taking the image). Whether the phrase is used as a noun or a verb can be determined from the context in which it is used.
- The term “image” is meant to describe both the process of taking a “picture” and the “picture” itself, the difference therebetween apparent from context. The “picture” may be a volume scan image such as a cone-beam image (produced, for example, by a computed tomography (CT) image (e.g. cone beam computed tomography (CBCT) image), an X-ray image, a magnetic resonance imaging (MRI) image, an ultrasound image, a nuclear medicine image (e.g. a positron-emission tomography (PET) image), or any image means known or yet to be discovered that can show the target tissue and surrounding tissue in sufficient detail to allow the system and methods described herein to be used. In some instances, a specific

type of imaging is suggested, but other imaging may be used if it may accomplish the same purpose. For example, panoramic imaging is suggested for routine screening for tooth buds, but other types of imaging known or yet to be discovered could be used to screen for tooth buds and measure tooth bud soft tissue dimensions. When used as a verb, the term "image" is the process of taking an "image" as described above.

- Electromagnetic fields around objects such as antennas can be divided into regions including "near field" (which can additionally be divided into non-radiative (reactive) and radiative (fresnel)) and "far field." Non-radiative "near field" behaviors dominate close to the antenna, while "far field" behaviors dominate at greater distances. In near field regions, there is interference with the propagation of electromagnetic waves and, therefore, the near field regions are considered unpredictable. By contrast, in far field regions, the field acts as "normal" with a relatively uniform wave pattern. Ablation probe systems 50 described herein are preferably designed to function in the near field region.
- The ablation system described herein may have associated hardware, software, and/or firmware (a variation, subset, or hybrid of hardware and/or software). The term "hardware" includes at least one "processing unit," "processor," "computer," "programmable apparatus," and/or other known or yet to be discovered devices capable of executing instructions or steps. The term "software" includes at least one "program," "subprogram," "series of instructions," or other known or yet to be discovered hardware instructions or hardware-readable program code. Exemplary software includes the surgical stent design software suite described herein. Software may be loaded onto hardware (e.g. the ablation source 60) to produce a machine, such that the software executes on the hardware to create structures for implementing the functions described herein. Further, the software may be loaded onto the hardware (e.g. the ablation source 60) to direct the ablation probe



system 50 to function in a particular manner described herein or to perform a series of operational steps as described herein. The phrase "loaded onto the hardware" also includes being loaded into memory associated with or accessible by the hardware (including  
5 firmware). The term "memory" (e.g. the memory of the ablation source 60) is defined to include any type of hardware (or other technology) -readable media (also referred to as machine-readable storage medium) including, but not limited to, attached storage media (e.g. hard disk drives, network disk drives, servers), internal  
10 storage media (e.g. RAM, ROM, EPROM, FLASH-EPROM, or any other memory chip or cartridge), removable storage media (e.g. CDs, DVDs, flash drives, memory cards, floppy disks, flexible disks), firmware, and/or other known or yet to be discovered storage media. Depending on its purpose, the memory may be transitory and/or  
15 non-transitory. Appropriate "communications," "signals," and/or "transmissions" (which include various types of information and/or instructions including, but not limited to, data, commands, bits, symbols, voltages, currents, electromagnetic waves, magnetic fields or particles, optical fields or particles, and/or any combination  
20 thereof) over appropriate "communication paths," "transmission paths," and other means for signal transmission including any type of connection between two elements of the system (the system including, for example, the ablation source 60, the hand piece 52, the ablation probe tip 100, other hardware systems and/or  
25 subsystems, and/or memory) would be used as appropriate to facilitate controls and communications.

- The term "associated" (and variations such as "associable"), when used in the context of a connection between components, is defined to mean integral or original, retrofitted, attached, connected  
30 (including functionally connected), positioned near, and/or accessible by. For example, if a display (such as the output mechanism 68 or other component) is associated with a computer (including a processor associated with the ablation source 60 or other technology), the display may be an original display built into

the computer, a display that has been retrofitted into the computer, an attached display that is attached to the computer, a nearby display that is positioned near the computer, and/or a display that is accessible by the computer. Another example is the connection  
5 between the ablation source 60, the hand piece 52, and the ablation probe tip 100 are described as associable in that the connections between these items may be integral or original, retrofitted, attached, connected (including functionally connected), positioned near, and/or accessible by.

10 • The terms "may," "might," "can," and "could" are used to indicate alternatives and optional features and only should be construed as a limitation if specifically included in the claims. It should be noted that the various components, features, steps, designs, or embodiments thereof are all "preferred" whether or not it is specifically indicated.  
15 Claims not including a specific limitation should not be construed to include that limitation.

• Unless specifically stated otherwise, the term "exemplary" is meant to indicate an example, representation, and/or illustration of a type. The term "exemplary" does not necessarily mean the best or most  
20 desired of the type.

• It should be noted that, unless otherwise specified, the term "or" is used in its nonexclusive form (e.g. "A or B" includes, but is not limited to, A, B, A and B, or any combination thereof). It should be noted that, unless otherwise specified, "and/or" is used similarly (e.g.  
25 "A and/or B" includes, but is not limited to, A, B, A and B, or any combination thereof). It should be noted that, unless otherwise specified, the terms "includes," "has," and "contains" (and variations of these terms) mean "comprises" (e.g. a device that "includes," "has," or "contains" A and B, comprises A and B, but optionally may contain C or additional components other than A and B).

30 • It should be noted that, unless otherwise specified, the singular forms "a," "an," and "the" refer to one or more than one, unless the context clearly dictates otherwise. Similarly, unless specifically

limited, the use of singular language (e.g. “component,” “module,” or “step”) may include plurals (e.g. “components,” “modules,” or “steps”), unless the context clearly dictates otherwise.

## 5 I. Volume Scan Guided Positioning and Ablation Control

Volume scan, as described herein is any scanning technology that at least relatively safely can accurately generate the necessary multi-dimensional images that can be used in ablation procedures. “Volume scan guided positioning and ablation control” is also referred to as “volume scan  
10 guided control” and “volume scan guided procedures.” “Volume scan guided positioning and ablation control” includes as “volume scan guided positioning control,” as “volume scan guided ablation control,” and “volume scan guided soft tissue ablation.” Volume scan guided control is a technology for precisely positioning an ablation probe tip and then ablating the desired soft tissue by  
15 delivering the predetermined amount of energy based upon the soft tissue dimensions measured in the volume scan. Positioning may be accomplished by physically using a physical stent as shown in FIG. 1A) and/or virtually using a virtual stent as shown in FIG. 1B). Ablating may be accomplished by heating a predetermined soft tissue volume by controlling the energy delivery.  
20 Such physical and virtual stents are described in the Therapeutic Tooth Bud Ablation Properties. For example, the creation of a custom surgical stent using location and measurement information about the tooth bud obtained from a scan is described in the Therapeutic Tooth Bud Ablation Properties as well as herein. Volume scan guided positioning control (e.g. a stent) may be  
25 created from pre-operative measurements obtained using volume scan technology. Exemplary steps for creating a stent include, but are not limited to:

- Selecting an ablation probe tip (which may be a sensed ablation probe tip) with known dimensions and capabilities. Information about  
30 the dimensions and capabilities may be stored in a volume scan information technology file (e.g. a three-dimensional computer aided design (CAD) file).

- Using volume scanning technology, scanning a patient's mouth. Information (including a volume scan image) from the volume scan may be stored in a scanning technology file (e.g. the volume scan information technology file).
- 5 • From the volume scan, creating physical (traditional) or digital impressions of the patient's teeth and gum tissue (gingival tissue). If a digital impression is created, it may be stored in a volume scan information technology file.
- 10 • From the volume scan or information in the volume scan information technology file, obtaining (e.g. calculating and/or measuring) the tooth bud size and position using information in the volume scan information technology file. Information about the tooth bud size and position may be stored in a volume scan information technology file.
- 15 • From the volume scan or information in the volume scan information technology file, locating a landmark (e.g. the distal side of erupted first molars or soft tissue over bone). Information about the location of the landmark in relation to the tooth bud may be stored in a volume scan information technology file.
- 20 • From the volume scan or information in the volume scan information technology file, locating or obtaining (e.g. calculating and/or measuring) the middle of the tooth bud (calculated middle) or at least a position within the tooth bud (a predetermined position). Information about the middle of the tooth bud may be stored in a scanning technology file.
- 25 • From the volume scan or information in the volume scan information technology file, obtaining (e.g. calculating and/or measuring) a predetermined angle (the angle at which the ablation probe tip's effective center of ablation is in the middle of the tooth bud – shown as 90 degrees in FIG. 2) to guide the ablation probe tip. The angle could be calculated/measured from a known point (e.g. the landmark or the
- 30 point of entry – taking into consideration the thickness and surface of a physical stent and the shape of the ablation probe tip) to the middle of the tooth bud. Information about the predetermined angle may be stored in a scanning technology file.

- From the volume scan or information in the volume scan information technology file, obtaining (e.g. calculating and/or measuring) predetermined depth (the depth at which the ablation probe tip's effective center of ablation is in the middle of the tooth bud) to limit the depth of the ablation probe tip. The depth could be calculated/measured from a known point (e.g. the landmark or the point of entry – taking into consideration the thickness and surface of a physical stent and the shape of the ablation probe tip) to the middle of the tooth bud. In FIG. 2, the depth D is shown as the distance between the upper surface of the gingival tissue and the center of ablation or, alternatively, the depth D + D' is shown as the distance between the upper surface of the stent and the center of ablation. If there was a raised mechanical stop (as shown in FIG. 1A), its height could also be added to the depth. Information about the predetermined depth may be stored in a scanning technology file.
- Processing the information in the volume scanning technology file(s) (which may be one file or multiple files) to put the information into a form that can be used for creating or manufacturing a stent (physical or virtual) and to create a “prescription” that indicates ablation energy dose tolerances and settings (e.g. level of energy and duration of energy deliverance) in order to be guided in selectively ablating the targeted tissues. “Creating” includes “manufacturing” such that both the virtual stent and the physical stent are created, but only the physical stent is manufactured. Depending on what is being “created,” “creating” (and variations thereof) may also include programming, gathering, or other ways of bringing into existence.
- Creating or manufacturing a stent (virtual or physical) with at least one surgical guide (virtual or physical) to guide the ablation probe tip at the predetermined angle and at least one stop structure (virtual or physical) to limit the depth of the ablation probe tip to the predetermined depth. If the stent is physical, it may have mechanical stop structure that interacts with the stent’s mechanical stop structure.

Using the stent surgical guide and mechanical stop structure, the ablation probe tip may be guided such that said center of ablation is within said tooth bud (and, preferably, at the middle of the tooth bud) when the ablation probe tip is guided at said predetermined angle to said predetermined  
5 depth.

FIGS. 1A, 1B, 2, and 3 show a basic system that uses volume scan guided positioning controls (shown as a physical stent 80 or a virtual stent 82', 86', 88') to properly position ablation probe systems 50 (including the probe tip 100) that deliver shaped, centered, temperature controlled,  
10 and/or volume controlled target tissue ablation. Volume scan guided procedures accurately position the micro-ablation probe to assure that the tooth bud tissue will be warmed from within (including from the middle of) the tooth bud outwards to a defined volume with outer soft tissue ablation margins in their desired location. Doing so results in safe and effective tooth bud  
15 ablation while mitigating damage to adjacent collateral tissues next to the tooth bud. There is no known competing technology that has this level of accuracy for three-dimensional (3D) positioning of the zone of ablation and holding the zone in position throughout the procedure.

Although some exemplary ablation probe system(s) 50 and  
20 components thereof are described in more detail herein, FIGS. 1A, 1B, 2, and 3 provide a broad overview of an exemplary ablation probe system 50 as it is used in an exemplary application (tooth bud ablation). The ablation probe system 50 may work in conjunction with a custom surgical stent (the physical stent 80 shown in FIG. 1A or the virtual stent 82', 86', 88' shown in FIG. 1B) at  
25 a tooth bud ablation site 90. Robotics could also be used in volume scan guided soft tissue ablation, the robotics being a form of guidance that may be used with either the physical system or the virtual system. Some exemplary physical guides and virtual guides are described in the Therapeutic Tooth Bud Ablation Properties. For other non-tooth bud procedures, where the ablation  
30 site could be a site (location on a body) covering any target tissue, an appropriate surgical stent could be used to guide placement of the probe tip. For example, if the tumor were on a leg, a physical or virtual stent appropriate to a leg would be used.

As shown in FIG. 1A, an ablation probe system 50 (or ablation probe 50) includes an ablation probe tip 100, a hand piece 52, and an ablation source 60 which provides and/or facilitates the provision of an ablation means 62. The ablation probe tip 100 may be integral or connectable (directly or indirectly) or otherwise associable with the hand piece 52. The hand piece 52 may be integral or connectable (directly or indirectly) or otherwise associable with the ablation source 60. The hand piece 52 may be autoclavable. One type of indirect connection could include the use of a wire or cable that functionally connects components. Another type of indirect connection could include remote control mechanisms (e.g. appropriate transmitters and receivers) that functionally connect components.

FIGS. 1A, 2, and 3 show volume scan guided positioning control implemented as a custom surgical stent 80 having at least one surgical guide 82 (shown as darkened solid lines through the surgical stent 80 in FIG. 1A) and a stent mechanical stop 86 (which, as shown in FIG. 1A, may be a raised portion of the stent 80 at least relatively adjacent to the surgical guide 82 or, as shown in FIGS. 2-3, just the upper surface of the stent 80 at least relatively adjacent to the surgical guide 82). The stent 80, guide 82, and stop 86 together are a form of volume scan guided positioning control created using the process described herein. FIGS. 2-3 show that at least part of the surgical stent 80 may be at least partially supported by at least one erupted tooth. The custom surgical stent 80 is positioned so that a surgical guide 82 covers and/or surrounds the tooth bud 92 at the tooth bud ablation site 90 (including gingival tissue 94 and bone 96 (including the dense cortical bone)). FIG. 4 shows tissue (e.g. a tooth bud) having a middle 93 with radiating arrows that represent an exemplary ablation zone and the oval outline that represents predetermined outer limits 98 of the ablation zone.

The ablation probe tip 100 (shown in FIG. 1A with solid lines before insertion and dashed lines after insertion) has a tip mechanical stop 106 and a center of ablation 124. The ablation probe tip 100 is insertable through gingival tissue 94 and into the tooth bud 92 (which is located within the bone 96 of a jaw). The ablation probe tip 100 is guided by the stent 80 so that its insertion end 104 and center of ablation 124 would be within (e.g. at or near the middle 93 of) the tooth bud 92. The interaction between the surgical

guide 82 and the tip shaft 102 guides the ablation probe tip 100 at the correct angle (shown as a 90 degree or straight angle, but could be other angles) so that the center of ablation 124 is within the tooth bud 92. More specifically, the interior diameter of the surgical guide 82 is just slightly larger than the  
5 outer diameter of the tip shaft 102 such that the ablation probe tip 100 inserted into the surgical guide 82 can only be inserted at the angle dictated (prescribed) by the surgical guide 82. Limiting the ablation probe tip 100 to the correct depth so that the center of ablation 124 is within the tooth bud 92 may be accomplished, for example, by the interaction between the stent  
10 mechanical stop 86 and the tip mechanical stop 106 (which may be, for example, a raised surface (FIG. 1A), an angled surface, and/or the top surface (FIGS. 2-3) of the stent 80). Preferably the center of ablation 124 is positioned at least substantially in the middle (e.g. calculated middle) of the tooth bud 92 as determined by volume, three-dimensional position, and/or  
15 other known or yet to be discovered methods. (The calculated or predetermined middle of the tissue to be ablated is the “middle of the tooth bud” 93.) The ablation probe tip 100 is positioned before the ablation means 62 is activated to create the ablation zones 150, 160, 170 (the radiating arrows – although only a single type of zone is shown in these figures, it is  
20 representative of differently shaped zones shown and discussed herein in relation to FIGS. 9 and 11-13). As shown in FIG. 3, the predetermined outer limits 98 of the ablation zone are preferably +/- 0.50 mm within the bony crypt of the tooth bud 92.

FIG. 1B shows a virtual stent system (82', 86', 88') that can be  
25 used with a sensed ablation probe tip 100' and/or a sensed hand piece 52'. The virtual stent may be dynamic navigation technology that is implemented as at least one software program (or subprogram) associated with the ablation source 60. The program would be able to receive input (e.g. the prescription) and convert the input to a virtual stent. Although the virtual  
30 stent could be used by itself, it could also be used in conjunction with a physical stent. For example, it could provide advanced notice as to approaching parameters (e.g. an audible “the tip is approaching the stop”) or confirmation (e.g. a light flash on the handle or a pleasant audible “ding” when the probe tip is in position). Another example is that the surgical guide could



be implemented physically, but the stop and/or target could be implemented virtually.

The virtual stent system could be shown on a visual display 68' with surgical guide angle markings 82', a virtual stop marking 86', and virtual target markings 88' overlaying an image (e.g. a volume scan) of the area 92' (e.g. tooth bud) to be ablated (for clarity, the actual image has been omitted). Although shown as lines (e.g. dashed lines), alternative visual position indicators could be a digital readout or color coding. The virtual surgical guide angle markings 82' are based on the three-dimensional path of insertion (defined by the predetermined angle (e.g. the 90 degree angle shown in FIG. 2) and predetermined depth (e.g. the depth D shown in FIG. 2)). In preferred embodiments, the system would not be able to be activated if the center of ablation was not in proper relationship to the middle of the tooth bud.

In addition to or in conjunction with a physical stent 80 and a virtual stent displayed on a visual display '68, alternative audible, visual, and/or tactile indications can be used as a surgical guide, stop, and/or target. For example, signals (e.g. an audible series of beeps, a series of flashing lights, or physical vibrations) could be used to indicate the probe tip is getting closer to the ablation zone. For example, the beeps/flushes/vibrations could get louder/brighter/faster as the probe tip approaches the ablation zone. Alternatively, the indicators could be a voice speaking the instructions (e.g. "3 mm ... 2 mm ... 1 mm) or the light could be color-coded (e.g. red to green). Another example is that the virtual stop and/or virtual target could be implemented audibly, visually, and/or tactilely using similar or different indicators.

In use, the sensed ablation probe tip 100' may be guided by the virtual surgical guide angle markings 82' and the virtual stop marking 86' to a position in which the effective center of ablation 124' of the ablation probe tip 100' is in the middle of the tooth bud 93'. The operator may watch the insertion process on the display 68' as he physically manipulates the sensed ablation probe tip 100'. The virtual target markings 88' may also provide an indication that the sensed ablation probe tip 100' is within approximately 50%, 25%, and 10% of the average diameter of the tooth bud 92'. If the operator were manually manipulating the sensed ablation probe

tip 100', the system would monitor the progress and alert the operator that the ablation probe tip 100' is not at the proper position using, for example, visual indicators, audible indicators, tactile indicators, or a combination thereof.

Alternatively, the operator may monitor the progress on the display 68' as the  
5 sensed ablation probe tip 100' is inserted automatically (e.g. using a robotics system). Monitoring and override safeguards are preferably included in the system. For example, the system would not activate if the center of ablation was not in proper relationship to the middle of the tooth bud regardless of whether the insertion was performed manually or robotically.

10                   When the probe tip 100 is properly positioned, the center of ablation 124 is within the tooth bud 92 at its predetermined position. Activating the ablation means 62 creates an ablation zones 150, 160, 170 (e.g. for a spherical tooth bud 92 (FIG. 1A) the appropriate ablation zone would be a spherical ablation zone 160, but for an oblate tooth bud 92 (FIGS.  
15 2-3) the appropriate ablation zone would be an oblate ablation zone 150) centered about the center of ablation 124 within the tooth bud 92. If the ablation source 60 is a microwave generator, the ablation means 62 would be microwave energy. Ablation source parameter settings 64 and treatment time settings 66 may be provided by loading digital data (e.g. downloading  
20 parameter settings 64 and/or treatment time settings 66 using a provided "patient identification key" entered at a provided website address) or they may be provided by a user manually entering the data.

                    Feedback from the ablation source 60 or from the ablation probe tip 100 (which may have at least one sensor 108 along the shaft 102 to  
25 monitor, for example, temperature) may be provided to the user (or to electronic or digital monitoring systems that may be implemented by software associated with an ablation source 60 (e.g. a smart generator)) using an output mechanism 68 such as a video display or audio display (speaker).

                    The volume scan (in this case a CT volume scan) cross-  
30 sectional images in FIGS. 5-7 show the planned center-positioning of the ablation probe tip 100 inside a mandibular tooth bud (circled in dashed lines) of a pig (similar images could be taken of a human tooth bud). More specifically, FIG. 5 shows the axial view of a tooth bud, FIG. 6 shows the coronal view of a tooth bud, and FIG. 7 shows the sagittal view of a tooth bud.

It should be noted that the components of FIG. 1A are not to scale (for example, the ablation probe tip 100 would most likely be much smaller than the hand piece 52).

## 5 II. Ablation Zone Shaping Control

Another ablation probe system capability described herein is “ablation zone shaping” (or “ablation zone shaping control”) inside the bony crypt of the tooth. FIGS. 8-18 detail how knowing at least one profile of ablation zones 150, 160, 170 and/or the ablation probe systems 50 (and their  
10 method of use) allows the selection of the specific ablation probe tips 100 to create predetermined ablation zones that are shaped and/or sized to correspond with target tissue ablation zones. More specifically, FIGS. 8-13 show cross-sections of exemplary probe tips. FIGS. 14A-C show graphical representations of ablation probes and their respective ablation zones. FIGS.  
15 15A-C show photographic representations of ablation probes and their respective ablation zones. FIGS. 16A-C show photographic representations of actual ablations. FIG. 17 shows the results of an exemplary probe experiment related to roundness.

FIGS. 8-13 show exemplary ablation probe tips 100 (including  
20 probe tips 100a, 100b, 100c) that are able to create ablation zones 150, 160, 170 with predetermined “shapes” and/or “sizes.” For example, an ablation probe profile may specify a specific shape such as:

- oblate (the longest axis of ablation zone 150 being perpendicular to the shaft 102 of the ablation probe tip 100a) as shown in FIG. 11, having an aspect ratio of greater than 1.0 (the oblate ablation zones 150 being wider than they are long);
- spherical as shown in FIG. 12 having an aspect ratio of 1.0 (the spherical ablation zones 160 being as narrow as they are long); and/or
- oblong (the longest axis of ablation zone 170 being parallel and substantially coexistent with the shaft 102 of the ablation probe tip 100c) as shown in FIG. 13 having an aspect ratio of less than 1.0 (the oblong ablation zones 170 being narrower than they are long).

Known microwave ablation probes produce oblong ablation zones that are narrower than they are long (an aspect ratio of less than 1.0). These known oblong ablation zones can be so long they may appear to be “hot dog” shaped along the probe. The oblong ablation zones of known microwave ablation probes are at least similar to the oblong ablation zones 170 (FIG. 13) produced by ablation probe systems 50 (those used with probe tip 100c).

Conventional medical microwave ablation (MWA) and radiofrequency ablation (RFA) are well understood methods of inducing tissue heating that results in coagulative necrosis (cell death). Known MWA and RFA, however, generate oblong-shaped zones of ablation relative to the position of the insertion path of the ablation probe. As a result, conventional medical ablation technology was found to be suboptimal for many tooth bud ablations because the zone of ablation procedure by conventional medical ablation systems did not destroy the tooth bud tissue without also unnecessarily destroying adjacent non-tooth bud tissue. If an ablation zone of the wrong shape is used, it is almost impossible to deliver the correct amount of ablation means without unnecessarily destroying on-tooth bud tissue. For example, if the tooth bud is spherical and the ablation zone is oblong, either too much tissue will be ablated (tissue outside the tooth bud will be ablated) which will damage surrounding tissue, or too little tissue will be ablated which may result in an unsuccessful ablation. Put another way, unlike conventional medical ablation technology, the tooth bud ablation system described herein utilizes a proprietary shape zone technology for a more optimized fit inside the tooth bud that more selectively destroys targeted tooth bud tissue while destroying significantly less non-targeted tissue. Doing so greatly reduces the potential for collateral tissue damage, thus reducing the risk of adverse side effects.

FIGS. 14A-14C and FIGS. 15A-15C show representations of the heating patterns that result in the shaped ablation zones. Both the drawings of FIGS. 14A-14C and the photographs of FIGS. 15A-15C show a plurality of “isotherms” represented as a series of relatively annular lines (which can be thought of as nested rings) emanating from a relatively central region or point (an annular aperture 120 and/or a center of ablation 124 bounded by the annular aperture 120) of the tip shaft 102. Each of these isotherms represent

ten degrees Celsius (10°C) and, starting from the highest temperature in the active heating zone 125, decrease outward through thermal conduction in the thermal heating zone 126, to the outermost annular line that represents fifty degrees Celsius (50°C). Put another way, an imaging having four nested  
5 annular lines (an example of which is shown in FIG. 23B) would mean that the first (innermost) ring represented eighty degrees Celsius (80°C), the second ring represented seventy degrees Celsius (70°C), the third ring represented sixty degrees Celsius (60°C), and the fourth (outermost) ring represented fifty degrees Celsius (50°C). Since the exemplary temperature needed for  
10 ablation of a tooth bud is sixty degrees Celsius (60°C), the shape of the ablation zone would be based on the next to last ring (in the four ring example, the third ring). The system could be adapted to using isotherms that represent different temperatures (e.g. eight degrees Celsius (8°C) or twelve degrees Celsius (12°C)). Further, the system could be adapted to alternative  
15 minimum temperatures needed for ablation for different soft tissues that require higher or lower temperatures for ablation.

FIGS. 16A-16C show photos that allow a comparison of the ablated tissue from a tissue ablation that was performed using known medical ablation systems (FIGS. 16A-16B) and the medical ablation system described  
20 herein (FIG. 16C). FIG. 16A shows the adverse impact of using conventional medical ablation at 2.45 GHz. The zone of ablation in the soft tissue is highly “ragged” in appearance in the active heating zone 125, was overheated at one end, and is extremely oblong in shape as it asymmetrically migrated up the shaft of the ablation probe as the ablation probe heated up. FIG. 16B  
25 shows a zone of ablation produced at a higher frequency. It has a “tear drop” shape that asymmetrically migrated outside the spherical shape of a tooth bud that occurred because the probe shaft became too hot and is also suboptimal for tooth bud ablation. FIG. 16C shows a spherical zone of ablation generated using the tooth bud ablation probe described herein. The shape  
30 zone of ablation represents a best fit inside the soft tissue of the tooth bud and can be configured to be wider, spherical, or oblong along the path of micro-ablation probe insertion because the active heating zone 125 is predefined with thermal energy conducting out of the active heating zone 125 and into the thermal heating zone 126 in a controlled fashion.

## II.A. Ablation Probe:

FIGS. 8-13 show exemplary microwave ablation probe tips 100 (which, unless specified otherwise, generically include ablation probe tip 100a in FIG. 11, ablation probe tip 100b in FIG. 12, and ablation probe tip 100c in FIG. 13). These ablation probe tips are designed for thermal heating of tissues. The mechanism of thermal heating occurs in an active zone of heating (ablation zone) due to highly polar water molecule vibration for microwave (MW) or ion vibration in water for radiofrequency (RF). The shown and described structure of the ablation probe tips 100 conductively transfer excess heat in the target ablation zone out of the target ablation zone into non-targeted surrounding tissue at temperatures below the threshold where tissue destruction will occur.

The shown and described structure of the ablation probe tip 100 (including the near field antenna 110 – a coaxial cable with an annular aperture 120) uses “near field reactive” energy emission into the ablation zone regions and, therefore, can be considered a near field antenna. (This can be thought of as a near field reactive antenna.) “Near field reactive” regions are approximately  $\lambda/2\pi \sim 0.159$  wavelengths or less in the antenna length of the ablation probe where the microwave energy is not propagating as a uniform wave. ( $\lambda$  is the spatial period of a periodic wave - the distance over which the wave's shape repeats.) As described below, near field radiation regions are distinctly different from far field radiation regions where the microwave signal spreads enough that waveforms propagate as more coherent waves in the far field radiation regions.

The shown and described structure of the ablation probe tip 100 preferably delivers energy that is non-resonant in a combined aperture/ablation zone dimension that is less than the frequency wavelength divided by 4 so as to minimize production of thermal energy along the shaft 102 of the ablation probe tip 100. The optional insulation annular layer 118 may be a thermally conductive outer sheath that further minimizes production of thermal energy along the ablation probe tip 100.

FIGS. 8-10 shows the shaft 102 of the ablation probe tip 100 having an insertion end 104 (also referred to as the “insertion tip,” the

“insertion point,” and the “insertion tip point”) at the end of the shaft 102. The insertion end 104 may be sharp enough to be self-introducing. The ablation probe tip 100 has a central coaxial antenna 110 (which can be thought of as a coaxial cable with an annular aperture 120). The central coaxial antenna 110 preferably includes an inner conductor 112, an annular dielectric insulator layer 114 (or other wave-guide), an annular outer conductor 116, and an optional insulation annular layer 118. Toward the end of the coaxial antenna 110 (near the insertion end 104) is an annular aperture 120 (which can be thought of as an annular window). An optional antenna end load 122 may be positioned between the aperture 120 and the insertion end 104 of the coaxial antenna 110 in order to increase the capacitive properties of the antenna to shorten the antenna center wire length, thereby making the focal region smaller (concentrating the total energy density) and increasing the power loading (power density) in the ablation zone. This will be discussed in more detail in relation to power loading control (section VI.). Surrounding the coaxial antenna 110 of shaft 102 (and spaced from the insertion end 104) is an annular heat transfer layer 130 (also referred to as a thermally conductive layer 130) and an annular tip cover 132 at the insertion end 104. The annular tip cover 132 covers and surrounds the end of coaxial antenna 110, the annular aperture 120, and the optional antenna end load 122. Further, the annular surface of the annular tip cover 132 farthest from the insertion end 104 annularly abuts the annular surface of the thermally conductive layer 130 closest to the insertion end 104.

The central coaxial antenna 110 preferably includes an inner conductor 112 annularly surrounded by an annular dielectric insulator layer 114 (e.g. polytetrafluoroethylene (PTFE), air, or other known dielectrics) that is, in turn, surrounded by an annular outer conductor 116. The inner conductor 112 may be copper, copper- or silver-plated steel, or other conductive materials. The annular dielectric insulator layer 114 may be PTFE, air, or other known dielectrics that help form a wave guide between the center wire and the annular outer conductor. The annular outer conductor 116 may be a metallic shield such as a solid or woven copper or aluminum shield or other known metals.

The coaxial antenna 110 may be purchased, pre-made, or a combination thereof (e.g. purchased without an aperture and adding the aperture later or purchased without an insulation layer and adding the insulation layer later). The antenna may be an antenna design with a  
5 capacitive load on the end (as shown) or a dipole antenna with no capacitive load or an antenna having other method of loading the end of the antenna. Even though an antenna design with an end load is shown to increase capacitive coupling to shorten the length of the antenna, a dipole antenna with no end load or other form of capacitively loading the end of the antenna to  
10 lengthen or shorten the antenna can be considered.

The ablation probe tip 100 may also include an optional insulation annular layer 118 that provides thermal and electrical isolation between the outer annular surface of the outer conductor 116 and the inner annular surface of the heat transfer layer 130. Although shown with the  
15 optional insulation annular layer 118, alternative preferred ablation probe tips could omit the insulation annular layer. The optional insulation annular layer 118 may be part of a coaxial antenna 110 (e.g. a pre-made or purchased coaxial antenna). Alternatively, the optional insulation annular layer 118 may be added to a coaxial antenna 110 (e.g. a pre-made or purchased coaxial  
20 antenna) that does not have its own insulation layer. The insulation annular layer 118 may be made of materials including, but not limited to, plastic such as polymethylmethacrylate, polysulphone, or polyetherimide or other materials, such as zirconium dioxide or lithium disilicate ceramics capable of providing electrical isolation.

25 Toward the end of the coaxial antenna 110 (near the insertion end 104) is an annular aperture 120 that takes the form of a 360-degree groove. Put another way, the annular aperture 120 is a portion of the coaxial antenna 110 in which the annular dielectric insulator layer 114 is free from the annular outer conductor 116. Put yet another way, the annular aperture 120  
30 is where the annular outer conductor 116 has been removed (or was never present) in an annular ring around the exposed annular ring of the dielectric insulator layer 114. The center of ablation 124 (the focal point or region from which the ablation means radiates) is located within the inner conductor 112 at the annular aperture 120 (from which the ablation means emanates). As



discussed in the center ablation control section (section III.), the ablation zones 150, 160, 170 stay centered around the annular aperture 120 and center of ablation 124 and do not symmetrically migrate up the shaft 102. When the ablation probe tip 100 is assembled, the annular tip cover 132  
5 covers the annular aperture 120.

As set forth herein, the optional antenna end load 122 is positioned between the annular aperture 120 and the insertion end 104 of the coaxial antenna 110 and acts to increase the capacitive properties of the antenna. The optional antenna end load 122 is preferably at least  
10 substantially perpendicular and adjacent to the end of the inner conductor 112. The optional antenna end load 122 functions as a capacitive concentrator such that the ablation means "hit" the antenna end load 122 and radiates outward into the targeted tissue from a shorter effective antenna base.

15 The exemplary microwave ablation probe tip 100 has a shaft design with an annular heat transfer layer 130 at least partially surrounding the central coaxial antenna 110. The heat transfer layer 130 is preferably the outermost annular layer of at least the portion of the shaft 102 that it covers. As will be discussed in relation to FIGS. 11-13, the heat transfer layer 130 is  
20 positioned to create an oblate ablation zone 150, a spherical ablation zone 160, or an oblong ablation zone 170 along the shaft 102 of the ablation probe tip 100. The positioning of the heat transfer layer 130 may be predetermined or the heat transfer layer 130 may be positionable (e.g. movable, slidable, or otherwise associable at different positions) along the shaft 102, the shape of  
25 the ablation zones 150, 160, 170 being determined by the position of the heat transfer layer 130. In use, the heat transfer layer 130 partially extends into the ablation zone while part of the heat transfer layer 130 remains outside of the ablation zone. The heat transfer layer 130 is preferably made from material that both has high thermal conductivity and is electrically conductive.  
30 Put another way, the heat transfer layer 130 is preferably a high thermal conducting layer. (Preferably, the heat transfer layer 130 is both microwave transmissive and thermally nonconductive.) Exemplary material includes, but is not limited to, silver (Ag), aluminum (Al), copper (Cu), stainless steel (Ss), titanium (Ti), or any other material known or yet to be discovered that has high

thermal conductivity and is electrically conductive. For example, silver has higher conductivity than copper, aluminum has high conductivity (but lower conductivity than copper), stainless steel has poor thermal conductivity, and titanium has poorer thermal conductivity than stainless steel. The different  
5 thermal conduction properties of the different materials allows for the construction of devices having different measurable thermal conduction properties that can be used to create a variety of ablation probe tips for use in different applications. As discussed in ablation zone temperature control section (section IV.), preferred heat transfer layers 130 passively cool the  
10 ablation probe tip 100 by minimizing production of thermal energy along the portions of the ablation probe tip 100 substantially adjacent or near the heat transfer layer 130.

The exemplary microwave ablation probe tip 100 has a tip design with a tip cover 132 at the insertion end 104. The tip cover 132 is  
15 preferably made from material or substrate that has both high radio translucency (meaning that it is highly radiolucent or has low microwave absorption rates) and low thermal conductivity (meaning that it is highly insulating or has low thermal conduction rates) while also being electrically nonconductive. Exemplary materials suitable for this purpose include, but are  
20 not limited to plastics such as polysulphone, polyetherimide and polymethalmethacryle, but may also include ceramic substrates such as zirconium dioxide and lithium disilicate. Ablation probes with this tip design have the properties of allowing the microwave energy to escape preferentially (high radio translucency), blocking heat from returning into the ablation probe  
25 (low thermal conductivity) and high electrical isolation.

## II.B. Ablation Zones:

FIGS. 8-10 show the basic components of the ablation probe tip 100 and FIGS. 11-13 show the specific ablation probe tips 100a, 100b, 100c  
30 that create the three different shaped ablation zones 150, 160, 170.

While FIG. 9 shows three different ablation zones 150, 160, 170, it incorrectly shows a single aperture offset. FIGS. 11-13 correctly show the different aperture offsets 152, 162, 172 relative to the annular outer conductor

116 that would be necessary to create the respective ablation zones 150, 160, 170.

Similarly, FIG. 10 shows exemplary energy flow of the ablation probe tip 100a of FIG. 11, but the flows would be similar for the ablation probe tips 100b and 100c of FIGS. 12 and 13. FIG. 10 shows an exemplary energy flow of an exemplary ablation probe tip 100 that can be described in eight “flow steps” (FS1-FS8). Most of the flow step reference numbers point to arrows showing the direction of energy flow. Although described as “steps” to portray flow, in reality many of the steps occur continuously and/or simultaneously. This exemplary probe tip 100 is using microwave energy as its ablation means 62.

FS1: The ablation means 62 provided by the ablation source 60 is inserted or injected into the central coaxial antenna 110 and travels down the wave-guide (e.g. dielectric insulator layer 114) between the inner conductor 112 and annular outer conductor 116.

FS2: The ablation means 62 then exits out the annular aperture 120 near the antenna end load 122. The exiting of the ablation means entails energy acting in the near field reactive region of the antenna with an effective antenna length approximately  $\lambda/2\pi$  (~0.159 wavelength) or less.

FS3: The ablation means 62 next begins to radiate outward as near field radiation out of the annular aperture 120 through an annular tip cover 132. The length of the annular aperture determines the effective antenna length and effective power loading (power density), with a larger annular aperture resulting in a lower effective power density going to the targeted tissue. As set forth herein, the annular tip cover 132 has the dual properties of being highly radiolucent to out-flowing MW or RF energy while also being highly insulating so that the ablation probe tip 100 does not conduct thermal energy back in as the ablation means 62 passes through it.

- 5 FS4: After traveling through the highly radiolucent annular tip cover 132, the ablation means 62 is subsequently absorbed into the living tissue 91 (which may be a tooth bud 92 or the surrounding tissue) around the annular tip cover 132 into what will become the active heating zone 125, which starts to rapidly heat up the tissue 91 as the MW or RF energy is converted to thermal energy.
- 10 FS5: As the tissue 91 around the annular tip cover 132 increases in temperature sufficient to form the ablation zone, the low thermal conductivity/high insulating properties of the annular tip cover 132 preferably blocks the tissue's thermal energy from conducting back into the ablation probe tip's 100 antenna structure and migrating up the central coaxial antenna 110 and annular outer
- 15 conductor 116.
- 20 FS6: In addition to the dual properties of the annular tip cover 132, the shaft 102 of the ablation probe tip 100 also contains an electrically and thermally isolated annular heat transfer layer 130 that blocks transmission of the ablation means 62 up the shaft 102 while allowing thermal energy from the active ablation zone to conduct preferentially up the annular heat transfer layer 130 from the soft tissue 91 zone of ablation that is heating up.
- 25 FS7: The annular heat transfer layer 130 is "quenched" by transferring its thermal energy into the contacting soft tissue 91 that is not being directly heated by the ablation means 62 because the annular heat transfer layer 130 has blocked the ablation means 62 from migrating up the shaft 102.
- 30 FS8: The mechanism of cooling the annular heat transfer layer 130 by the adjacent soft tissue 91 not only occurs through its high thermal mass due to high water content, but soft tissues 91 are perfused by moving blood, which means

heat is carried away from the annular heat transfer layer 130 and out of the surrounding soft tissue 91.

The shown aperture offsets 152, 162, 172 in FIGS. 11-13 create the different ablation zone shapes 150, 160, 170. More specifically, the length to width ratio (aspect ratio) of the ablation zone increases with an increase in aperture offset to take on a more oblong shape. Aperture offsets 152, 162, 172 can be described as the distances (set backs) between the annular aperture 120 (and/or the center of ablation 124) and the annular heat transfer layer 130. For consistency, the aperture offsets 152, 162, 172 shown and described herein are the distance between the center of the annular aperture 120 (shown as the effective center of ablation 124 and also referred to as the "center of the annular aperture 124") and the annular edge of the annular heat transfer layer 130 closest to the annular aperture 120. As the center of ablation 120 is stationary (does not migrate) as discussed in the center ablation control section (section III.), the center of ablation 124 and the center of the annular aperture 124 remain the same. It should be noted that, although the distances would be different, the aperture offsets could be measured from alternative points of reference (e.g. the annular edge of the annular outer conductor 116 closest to the annular aperture 120).

The examples of FIGS. 11-13 are based on exemplary ablation probe tips with apertures 1.00 mm to 1.50 mm. The exemplary frequency used was 12 GHz and the exemplary power used was 6.6 W. (Other frequencies, including 18 GHz, were able to produce shaped ablation zones.) The range of the aperture offsets are between 0.0 mm to 3.0 mm. Measurements were taken at 20 seconds. Each probe was frequency-tuned in water to get the minimum reflected power reading prior to each ablation. (FIG. 17 shows the results of an exemplary probe experiment related to roundness of the zone ablation as it relates to both thermal conductivity of the annular outer conductor 116 and the effective aperture size 120.)

FIG. 11 shows ablation zone 150 with an oblate shape. The aperture offset 152 is the shortest of the aperture offsets 152, 162, 172 and creates the oblate ablation zone 150. As an example, for a near field probe tip, the aperture offset might be less than 1.0 mm. The ablation zone 150 has an aspect ratio of more than 1.0 (aspect

ratio > 1.0). FIGS. 14A and 15A show ablation zone isotherms with an exemplary oblate shape.

- FIG. 12 shows an ablation zone 160 with a spherical shape. The aperture offset 162 has a length between the aperture offset 152 and the aperture offset 172 and creates the spherical ablation zone 160. As an example, for a near field probe tip, the aperture offset might be approximately 2.0 mm (or at least between 1.0 mm and 4.0 mm). The ablation zone 160 has an aspect ratio of 1.0 (aspect ratio = 1.0). FIGS. 14B and 15B show ablation zone isotherms with an exemplary spherical shape.

- FIG. 13 shows an ablation zone 170 with an oblong shape. The aperture offset 172 is the longest of the aperture offsets 152, 162, 172 and creates the oblong ablation zone 170. As an example, for a near field probe tip, the aperture offset might be more than 4.0 mm. The ablation zone 170 has an aspect ratio of less than 1.0 (aspect ratio < 1.0). FIGS. 14C and 15C show ablation zone isotherms with an exemplary oblong shape.

As will be discussed in the calibration section and in conjunction with the CT-guided ablation volume and/or diameter control (section V.), the ablation zone shaping may be calibrated.

### III. Ablation Center Control

Conventional medical microwave ablation (MWA) and radiofrequency ablation (RFA) technologies were found to be suboptimal for tooth bud ablation for a number of reasons. Medical ablation systems were reviewed and rejected because they demonstrated substantial asymmetrical “migration” of the zone of ablation up the shafts of ablation probes during the procedure. The outer margin of the soft tissue ablation zone asymmetrically migrates up the probe tip shaft as the ablation probe heats. Further, the effective center of ablation also migrates up the tip shaft as the ablation probe heats. This asymmetrical ablation zone migration makes predetermination or planning a medical ablation procedure extremely difficult for the operator and represents significant risk of damaging tissue outside the planned zone of ablation.

As set forth, the center of ablation 124 is positioned centrally within the inner conductor 112 and surrounded annularly by the annular aperture 120. The center of ablation 124 is also the effective center of the ablation zones 150, 160, 170. The center of ablation 124 is also referred to as the “center of the annular aperture 124.” The micro-ablation technology described herein has been designed to eliminate asymmetrical migration of the zone of ablation up the ablation probe tip shaft during the ablation procedure. Eliminating migration can be thought of as “fixing” the center of ablation 124 in place in relation to the center of ablation 124, the annular aperture 120, and/or the ablation probe tip 100. Put another way, preferred ablation probe tips 100 described herein have “stationary” (also referred to as “fixed”) ablation zones 150, 160, 170 in that they stay centered on the annular aperture 120 and the center of ablation 124. This is shown in FIG. 19. The outer margins of the ablation zones 150, 160, 170 do not asymmetrically migrate up (toward the hand piece 52) the probe tip shaft 102 as the ablation probe tip 100 heats. Further, the effective center of ablation 124 within the center of the tissue does not migrate up (toward the hand piece 52) the probe tip shaft 102 as the ablation 100 heats up.

The micro-ablation probe’s annular outer heat transfer layer 130 in combination with the use of a near field antenna keeps the ablation zone’s center stationary as the zone of ablation enlarges symmetrically outward, as shown in FIG. 19. As discussed in relation to FIG. 10 (FS6), the annular outer heat transfer layer 130 has dual properties: (1) it blocks transmission of the ablation means 62 from migrating up the shaft 102 and (2) it simultaneously allows thermal energy from the active ablation zone to conduct preferentially up the annular heat transfer layer 130 from the soft tissue 91 zone of ablation that is heating up.

Once the micro-ablation probe tip 100 is positioned inside the target tissue 92, the ablation procedure is activated by the operator through use of the ablation source 60. The ablation means 62 flows through the ablation probe system 50 and radiates outward from the center of ablation 124. The energy/heat radiating outward from the center of ablation 124 forms the ablation zones 150, 160, 170. While energy is radiating outward from the center, the center of ablation 124 and the ablation zones 150, 160, 170

remains stationary in relation to the center of ablation 124 in that the ablation zones 150, 160, 170 stay centered about the center of ablation 124 and the outer margins of the ablation zones 150, 160, 170 do not migrate up the probe tip shaft 102 as the ablation probe tip 100 heats. Instead, properties of the near field antenna 110 (the central coaxial antenna 110) and/or the properties of the annular outer heat transfer layer 130 prevent the upward migration (away from the insertion end 104) in relation to the shaft 102. This is true regardless of whether the shape of the ablation zone is oblate, spherical, or oblong.

There is no known competing technology that has this unique capability to maintain the zone of ablation in a fixed position throughout an ablation procedure and, therefore, no other medical ablation technology has this degree of centering capability.

#### IV. Ablation Zone Temperature Control

Another aspect of the tooth bud ablation process is ablation zone temperature control. The peak temperature is limited throughout the procedure in order to prevent tissue charring. A comparison between over-heated tissue and properly heated tissue can be seen by comparing FIGS. 20A and 20B.

FIG. 20A shows over-heated tissue which can be seen as steam generated (shown as the wavy inner ring) in the center region in the active heating zone 125 around the probe tip. This would occur when the peak temperature exceeded one hundred degrees Celsius (100°C). Steam generation dehydrates the tissue, which may lead to tissue charring and abnormal healing that includes residual scar formation. Put another way, failure to control the peak temperature may result in unpredictable healing that may lead to scarring. When scarring formation occurs, then it is possible that the soft tissue will not heal normally.

FIG. 20B shows properly heated tissue in which a temperature-controlled ablation process does not exceed ninety degrees Celsius (90°C). There is little potential for dehydration of the tissue during ablation or abnormal post-op healing with radiographically detectable scar formation when peak temperatures do not exceed one hundred degrees Celsius



(100°C). Based upon multiple animal studies, when peak temperatures are limited to ninety degrees Celsius (90°C), the bone infills in a short period of time and the tooth buds are no longer detectable on X-rays in just four (4) weeks. Keeping the peak temperatures to ninety degrees Celsius (90°C) or below, therefore, is highly desirable.

There are two main types of temperature control that may be used in the ablation probe system: “passive” cooling and “active” cooling. Temperature is also affected by the power loading control as discussed in the power loading section (section VI.).

10

#### IV.A. Passive Cooling:

Preferred ablation probe tips 100 (including the probe tip shaft 102) described herein include passive cooling (passive ablation zone temperature control). For passive cooling, heat transfer layers 130 passively cool the ablation probe tip 100 by minimizing production of thermal energy along the portions of the ablation probe tip 100 substantially adjacent or near the heat transfer layer 130. The passive cooling of preferred ablation probe tips 100, therefore, keeps the probe tip shafts 102 relatively cool.

Ablation probe tips 100 described herein use the thermal properties of the adjacent living tissue 91 (the specific thermal mass of the soft tissue 91 and the active blood perfusion of the soft tissue 91) to cool the ablation probe tip 100 and help shape the ablation zones 150, 160, 170. This feature can be referred to as “tissue quenching.” Tissue quenching is shown in FIG. 10 (flow steps FS7 and FS8) which is discussed herein.

25

#### IV.B. Active Cooling:

It should be noted that many known microwave ablation probes require active cooling of some sort (e.g. active pumping of liquid coolant (such as water) or gas (such as CO<sub>2</sub>) along the probe tip shaft or else the shaft super-heats and charring of tissue along the shaft occurs with local temperatures sometimes exceeding 300°C. Preferred ablation probe tips 100 described herein that create ablation zones less than 25.0 mm in diameter, however, may not require active cooling to keep the probe tip shaft 102 from getting so hot that tissue 91 is ablated along the probe tip shaft 102.

30

Some preferred ablation probe tips 100 described herein may also include optional active cooling for ablation zones. In active ablation zone temperature control, feedback from the ablation source 60 and/or from the ablation probe tip 100 (which may have at least one sensor 108 along the shaft 102 to monitor, for example, temperature) may be provided to the user (or to electronic or digital monitoring systems that may be implemented by software) using an output mechanism 68 such as a video display or audio display (speaker).

For the ablation probe systems 50 described herein, exemplary optional active cooling 54 (which includes cooling materials such as liquid coolant (such as water) or gas (such as CO<sub>2</sub>)) may be provided via the hand piece 52 and/or directly to the ablation probe tip 100. Using the probe 100 in FIG. 8, the cooling 54 may flow between the annular outer conductor 116 and the heat transfer layer 130. If an optional insulation annular layer 118 is present, the cooling 54 could flow either inside or outside of the optional insulation annular layer 118. Alternatively, the cooling 54 could travel through channels and openings (not shown) incorporated in or through the heat transfer layer 130.

There are four variables that can be controlled that relate at least tangentially to temperature control (active cooling): power/temperature, frequency/penetration, time/size, and shape/roundness.

- Power/Temperature: The power is kept low to prevent the maximum temperature from rising above ninety degrees Celsius (90°C).
- Frequency/Penetration: The frequency is selected to penetrate further into the tissue (i.e. there is less need for conduction and higher temperature).
- Time/Size: The size of the ablation zone may be determined by the duration of the ablation process (typically 20 to 40 seconds). In addition to controlling the total time of the duration of the ablation, modulating the energy on and off in a controlled fashion (pulse width modulation) is part of the time control.

- Shape/Roundness: The shape/roundness of the ablation zones 150, 160, 170 is determined by the design of the ablation probe tip 100 including, for example, the size of the aperture offset (e.g. aperture offsets 152, 162, 172).

5 These variables, however, can be intertwined. For example, a large ablation zone (time/size) may take longer to heat (power/temperature) than a small ablation zone. Pulse width modulation of the time/energy may also improve the degree to which a zone of ablation becomes more oblate. The combination of the variables are generally controlled by the ablation source 60  
10 which may be controlled manually (regular) and/or automatically (smart). At least an initial set of parameters for the variables may be part of a prescription (in a surgical kit) that is input (programmed) into the ablation source 60. The combination of the variables is based on an empirical map (developed based on extensive testing) and/or using at least one sensor that provides feedback.

15 An empirical mapping of the ablation process shows the maximum temperature and temperature gradients are based on total energy/power and frequency. Empirical testing may be used, for example, to determine the maximum energy input (power) as a function of time. After conducting extensive testing and mapping out the maximum temperatures,  
20 over heating may be avoided by controlling the variables (e.g. controlling power input).

Alternatively, or in conjunction with empirical testing, at least one external temperature sensor may be placed on or in the surface of the ablation probe 100. Having precise energy (power) delivery control with  
25 feedback from at least one sensor can be a key component to temperature control. There are a number of fiber optic-based temperature sensors that do not interfere with the microwave energy emission including, for example, fiber optic temperature sensor solutions from OSENSA Innovations (Burnaby, BC, Canada). The temperature feedback from at least one fiber optic sensor can  
30 be provided to (coupled into) the ablation source 60 to adjust and maintain a targeted temperature.

Feedback may be provided as input to the ablation source 60. Feedback may be provided to the user using an output mechanism 68 such as a video display or audio display (speaker). The user could then manually

adjust the parameter settings 64 and the treatment time settings 66 (including stopping the treatment) of the ablation source 60. Feedback may also (or in the alternative) be provided directly to an output mechanism 68 (e.g. a smart generator) (or to electronic or digital monitoring systems associated therewith that may be implemented by software associated with the ablation source 60) that automatically adjusts the parameter settings 64 and the treatment time settings 66.

#### V. Guided Ablation Volume and/or Diameter Control

10 Ablation volume control is another aspect that can be instrumental in procedural success. To this end, the ablation source 60 (e.g. a “smart” micro-ablation generator) precisely delivers prescribed ablation zone volumes. The ablation zone volumes are determined pre-operatively through volume scan imaging and provided as a prescription along with parameters of the relative variables (e.g. time and power). The ablation source 60 preferably controls the energy delivery (e.g. rate and time) to generate the prescribed ablation zone volume inside the bony crypt of the tooth bud. This allows the system to deliver ablation zone margins +/- 0.5 mm (within statistical limitations) for the prescribed ablation. This technology has the unique capability of being able to predetermine and deliver the final diameter and ablation volume with this degree of precision.

FIG. 21 shows four images: an original image (top left) and three images (top right, bottom left, and bottom right) with marking thereon. The top left image is of the targeted tooth bud. The three marked drawings each include a dashed line circle that represents the tooth bud. The three marked drawings also include a solid-line circle with arrows radiating from the center to the interior perimeter of the solid-line circle that represents the ablation zone. The top right image shows the tooth bud under-ablated because the ablation zone is significantly smaller than the tooth bud. The bottom left image shows the tooth bud over-ablated because the ablation zone is larger than the tooth bud. The bottom right image shows the tooth bud correctly ablated because the ablation zone is a relatively tight fit (the annular distance between the ablation zone within the tooth bud may be a bit exaggerated) to the tooth bud.

Using the prescription from the volume scan guided procedure, the ablation means 62 (e.g. the “smart” microwave generator) controls energy delivery (both rate and time) to generate the prescribed ablation zone volume inside the bony crypt of the tooth bud once the ablation probe is in the correct position.

Extensive experiments were performed both on tooth buds (ex vivo) and on pork loin to determine the estimated duration required for variation ablation diameters. The results of the experiments were analyzed and the graph in FIG. 22 and the table below show some of the results. In the FIG. 22 graph, the solid line shows the diameter estimates for ablations in tooth buds for various durations. The dashed line above the solid line shows diameter estimates for ablations in pork loin. The chart below adds the additional variable of the specific diameter that would represent the bony crypt diameter along with a correlation of ablation duration to the estimated diameter of the ablation zone.

Ablation Duration Table For In Vivo Pig Ablations		
Largest Bony Crypt Diameter Measured in CT Image (mm)	Ablation Duration (seconds)	Estimated Ablation Zone Final Diameter (mm)
4.0 to 4.5	20	6.2
4.6 to 5.0	25	6.8
5.1 to 5.5	30	7.2
5.6 to 6.0	40	8.0
6.1 to 6.5	45	8.4
6.6 to 7.0	55	9.0
7.1 to 7.5	65	9.6
7.6 to 8.0	75	10.1
8.1 to 8.5	85	10.6
8.6 to 9.0	95	11.1
9.1 to 9.5	110	11.7

## VI. Power Loading Control

As set forth herein, the length of the annular aperture (and the size of the focal region therein) determines the effective antenna length and/or effective power loading (also referred to as “power density” and “power loading density”). Compared to larger annular apertures, smaller annular apertures produce relatively higher effective power densities in the targeted tissue’s active heating zone 125. Compared to smaller annular apertures, larger annular apertures produce relatively lower effective power densities going to the targeted tissue’s active heating zone 125. Because the size of the annular apertures can be controlled and/or predetermined, the power loading densities can be controlled and/or predetermined (a predetermined power loading density).

As set forth herein, the length of the annular aperture (and the size of the focal region therein) determines the effective peak temperatures in the active heating zone 125. Compared to larger annular apertures, smaller annular apertures produce relatively higher effective peak temperatures in the active heating zone 125. Compared to smaller annular apertures, larger annular apertures produce relatively lower effective peak temperatures in the active heating zone 125. Because the size of the annular apertures can be controlled and/or predetermined, the peak temperatures in the active heating zone 125 can be controlled and/or predetermined to be high peak temperatures, medium peak temperatures, low peak temperatures (a predetermined peak temperature). The peak temperatures are relative to other ablation probe tips and systems having the same parameters and/or variables.

As set forth in the ablation probe section (section II.A.) of the ablation zone shaping control section (section II.), an antenna end load 122 near the aperture 120 of the coaxial antenna 110 increases the capacitive properties of the antenna 110 to shorten the antenna center wire length. This makes the focal region 124 smaller (concentrating the energy density) and increases the power loading (power density) in the ablation zone 150, 160, 170 (shown in FIGS. 23A-23C as ablation zones 160a, 160b, 160c, which are variations of the spherical ablation zone 160). There are other ways to change (increase/decrease) the size of the focal region 124 including, but not

limited to, antenna designs that use pigtail and other known techniques and technology used to add end loads to increase antennas' power loading.

FIGS. 23A-23C and FIGS. 24A-24C are graphic and photographic images that show the effect that the size of the focal region (the center of ablation 124 bounded by the annular aperture 120 (shown as 120a, 120b, 120c in FIGS. 23A-23C) has on the creation of ablation zones 150, 160, 170 (although only the approximately spherical ablation zone 160 is shown). Other than the size of the annular aperture 120, the variables (e.g. time, power, and so forth) in the experiments documented by these photographs remained constant. The rings on these photographs are like the rings in FIGS. 15A-15C in that the isotherms (annular lines) surrounding the focal region each represent ten degrees Celsius ( $10^{\circ}\text{C}$ ) and the outermost isotherm (annular line) represents fifty degrees Celsius ( $50^{\circ}\text{C}$ ). Exemplary isotherms are labeled in FIGS. 23A-23C.

The rate of heating (delta temperature / delta time) increasing as the annular aperture gets smaller can be shown mathematically. Power density can be thought of as the amount of power (time rate of energy transfer) per unit volume. In this equation (and an example only), the amount of power is expressed in watts (W) and the unit volume is expressed in cubic millimeters ( $\text{mm}^3$ ). If 5.0 W of microwave energy were applied to a probe tip with an annular aperture that is 1.0 mm long, the power density would be approximately  $5.0 \text{ W}/\text{mm}^3$ . If 5.0 W of microwave energy were applied to a probe tip with an annular aperture that is 4.0 mm long, the power density would be approximately  $1.25 \text{ W}/\text{mm}^3$ .

The ablation probe shown in FIG. 24A has a small focal region that creates high power loading density in the ablation zone 160a. More specifically, the focal region is a 0.8 mm (length along the probe shaft) annular aperture 120a. If 5.0 W of microwave energy were applied to this probe tip, the power density would be approximately  $6.25 \text{ W}/\text{mm}^3$  as the microwave energy first begins to enter the tissue. The inner peak ablation zone temperature in the active heating zone 125 is ninety degrees Celsius ( $90^{\circ}\text{C}$ ). FIG. 23A shows a similar probe tip 100 that creates a spherical ablation zone 160a (although other shapes could be created using probes with shorter or longer aperture offsets) with an active heating zone 125 and a

thermal heating zone 126. The short annular aperture 120a bounds a short/small focal region 124 that, in turn, results in a short/small zone of active heating that creates high power loading (represented by the relative closeness (tight spread) between isotherms in the thermal heating zone 126 of the ablation zone 160a).

The ablation probe shown in FIG. 24B has a medium focal region that creates medium power loading density in the ablation zone 160b. More specifically, the focal region is a 1.5 mm (length along the probe shaft) annular aperture 120b. If 2.4 W of microwave energy is applied to this probe tip, the power density would be approximately 3.3 W/mm<sup>3</sup> as the microwave energy first begins to enter the tissue. The inner peak ablation zone temperature in the active heating zone 125 is eighty degrees Celsius (80°C). FIG. 23B shows a similar probe tip 100 that creates a spherical ablation zone 160b (although other shapes could be created using probes with shorter or longer aperture offsets) with an active heating zone 125 and a thermal heating zone 126. The medium annular aperture 120b bounds a medium focal region 124 that, in turn, results in a medium length/size zone of active heating that creates medium power loading (represented by the intermediate spread isotherms in the thermal heating zone 126 of the ablation zone 160b).

The ablation probe shown in FIG. 24C has a large focal region that creates low power loading density in the ablation zone 160c. More specifically, the focal region is a 4.0 mm (length along the probe shaft) annular aperture 120c. If 2.4 W of microwave energy is applied to this probe tip, the power density would be approximately 1.25 W/mm<sup>3</sup> as the microwave energy first begins to enter the tissue. The inner peak ablation zone temperature in the active heating zone 125 is seventy degrees Celsius (70°C). FIG. 23C shows a similar probe tip 100 that creates a spherical ablation zone 160c (although other shapes could be created using probes with longer or longer aperture offsets) with an active heating zone 125 and a thermal heating zone 126. The long annular aperture 120c bounds a long/large focal region 124 that, in turn, results in a long/large zone of active heating that creates low power loading (represented by the relatively large distance (wide spread) between isotherms in the thermal heating zone 126 of the ablation zone 160c).



Power density is one of the capabilities of an ablation probe tip 100 that would be relevant for calculations performed, for example, by software. Selecting an ablation probe tip 100 with an annular aperture 120 of a known or predetermined length will produce an ablation zone 150, 160, 170 with a known or predetermined power loading. The ablation probe tip 100 with the predetermined-sized annular aperture 120 may be included in a surgical kit or the prescription may specify ablation probe tip 100 with the predetermined-sized annular aperture 120 to be used in the procedure.

As a point of clarity, it should be noted that the power density is at least substantially independent from the shape of the ablation zone 150, 160, 170. Whereas the power density is related to the size of the annular aperture 120, the shape of the ablation zone 150, 160, 170 is related to the aperture offsets 152, 162, 172.

Calibration:

The ablation probe systems 50 are preferably calibrated. This may be accomplished by performing a plurality of ablations (e.g. 150 ablations in tooth bud tissue from freshly harvested mandibles and maxillas of sacrificed animals) and using the results to establish a "calibration curve" based upon the resulting ablation of the tissue.

A volume scan is taken of the target tissue. This image may be used to determine, for example, the volume/diameter of the zone of ablation, the shape of the zone of ablation, and/or the position of the zone of ablation.

After the diameter of the bony crypt of each tooth bud is measured, a "best fit" ablation zone may be created, for example, by selecting an ablation probe tip 100 and the system settings based upon an ablation probe system's actual ablation volume properties. Put another way, a probe with known predetermined three-dimensional ablation profile is used. The size and shape of the ablation probe tip 100 is also relevant, as it would relate to the positioning provided by the custom surgical stent 80. Finding the "best fit" would preferably include determining that the volume/diameter of the zone of ablation is adjusted to fit the individual tooth buds. Further, finding the "best fit" would preferably include determining that the shape of the zone of ablation is adjusted to fit the individual tooth buds. Put another way, the

ablation zone shape is preferably controlled to fit inside the tooth bud. (For example, if the tooth bud is oblong, then an oblong ablation zone is produced.) The adjustment of the size and shape may be accomplished by, for example, selecting the ablation probe tip 100 with the appropriate annular aperture 120 to create the appropriate ablation zones 150, 160, 170. Another method to alter or control shape is by using pulse width modulation of the energy going out the probe. Properly positioning the ablation probe tip 100 using the procedures described in the Therapeutic Tooth Bud Ablation Properties and herein, the ablation zones are clearly circumferentially centered around the tooth bud and greatly reduce the incidence of any adjacent non-target tissue (e.g. nerves, teeth, etc) being damaged.

The area of the ablation zones may be calculated using the following exemplary equation or other known area calculation methods (which may be more detailed and/or provide more accurate results):

$$\text{Area} = \text{average length} * \text{average width} * \pi$$

The roundness of the ablation zones may be calculated using the following exemplary equation or other known roundness calculation methods (which may be more detailed and/or provide more accurate results):

$$\text{Roundness} = \text{average width} / \text{average length}$$

Other methods for determining the area and roundness of the ablation zone may be used including, but not limited to, direct observation, measurement, and other known or yet to be discovered empirical means for determining the area and roundness of the ablation zone.

**Exemplary Use:**

There are many advantages to prophylactically preventing the formation of third molars using methods, systems, and procedures described both herein and in the Therapeutic Tooth Bud Ablation Properties. Earlier intervention is safer due to anatomy (the tooth bud is separated by 5-10 mm from the mandibular canal), tooth development (the crown of the adjacent first and/or second molars is generally well developed), and improved healing (smaller surgical footprints reduce post-operation healing issues).

Using the apparatuses, methods/procedures, and systems described herein for inducing tooth agenesis, the clinical goal is predictable

efficacy for inducing tooth agenesis with zero long-term adverse side effects. The apparatuses, methods/procedures, and systems described herein may be used in the apparatuses (customized surgical stents 80, virtual stents 82', 86', 88', and/or surgical kits), methods/procedures, and systems described in the  
5 Therapeutic Tooth Bud Ablation Properties. For example, the probes may be used with customized surgical stents 80 or virtual stents 82', 86', 88' for proper placement. A surgical kit (including an ablation probe system 50, custom surgical stent 80, and ablation energy dose tolerances) is configured with the goal of statistically maintaining +/- 0.5 mm total ablation zone  
10 positioning control inside each tooth bud.

The following exemplary steps may be used for tooth agenesis (although the order may vary - e.g. the hand piece 52 may be connected to the ablation source 60 after the patient is seated):

- 15  
20  
25  
30  
▪ Routine Screening Ages 6-14: Routine screening to determine the presence of tooth bud 92 (e.g. third molar tooth buds) formation in two-year increments between age 6 and age 14 because of the wide range of ages that reflects the degree of variability in the formation of tooth buds. The screening may be accomplished using scanning techniques such as low-dose digital panoramic imaging techniques (which are common to at least most pediatric and most general dentists) or even new technologies such as ultrasound.
- Diagnosis and Volume Scan Imaging: Once the presence of tooth buds has been diagnosed during screening, a pre-operative imaging step is performed to determine the three-dimensional location and volume of each tooth bud 92. This imaging can be practically accomplished using, for example, dental CBCT three-dimensional volume scans using a voxel resolution of 0.4 mm or better. The result is a three-dimensional digital volume scan.
- Pre-Operation Impressions: A dental impression (conventional physical or digital dental impression) is obtained of the teeth and soft tissue (gums) in at least the

quadrant of interest. This impression captures the surface of the gum tissue and detail of the teeth. Erupted first and/or second molars 95 and/or the primary dentition are used to physically stabilize surgical stent(s) 80. The creation of digital impressions is described in more detail in the Therapeutic Tooth Bud Ablation Properties.

- Doctor's Prescription for Services: In one preferred method, a dental professional may complete and electronically sign an online prescription form. The electronically signed prescription is preferably completed with the uploading of the three-dimensional digital image (e.g. digital CBCT image) and at least one dental impression.
- Ablation Probe Tip 100: The ablation probe tip 100 will have a defined or known ablation zone 150, 160, 170. The ablation probe tip 100 will have a defined or known depth of penetration. The ablation probe tip 100 will preferably be self-introducing through the gingival tissue 94 into the tooth bud 92. In practice, a family of ablation probe tips 100 may be produced and shipped in a surgical kit.
- Creation of Custom Surgical Stent 80: The custom surgical stent 80 may be fabricated using the surgical stent design software suite that may be implemented as one or more programs, subprograms, applications, or modules.
  - The three-dimensional digital image and at least one dental impression are imported into the surgical stent design software suite. The specific ablation probe tip 100 or possible ablation probe tips 100, and the specifications therefore, are preferably known by (or provided to) the surgical stent design software suite so that the surgical stent design software suite can take the profile, dimensions, and/or capabilities (e.g. power density) of the ablation probe tip(s) 100 into consideration when designing the surgical stent 80. The surgical stent design software suite designs the

5 surgical stent 80 with at least one surgical guide 82  
and at least one mechanical stop 86 to guide and limit  
the placement of the ablation probe tip 100 into the  
tooth bud 92. (Put another way, the surgical stent  
design software suite calculates and provides ideal  
probe positioning and entry angle data and depth data  
that is required for optimal placement of the ablation  
probe's center of ablation 124 into the targeted tooth  
bud 92 with a total system tolerance of +/- 0.5 mm for  
10 total ablation zone positioning control. This  
information may then be used to calculate the data  
necessary to create the at least one surgical guide 82  
and at least one mechanical stop 86.) The surgical  
stent design software suite also designs the surgical  
15 stent 80 to mate with the patient's soft tissue (gums),  
preferably including the soft tissue covering the tooth  
bud 92. The surgical stent design software suite also  
designs the surgical stent 80 to mate with the patient's  
erupted teeth (e.g. primary and/or permanent first  
20 and/or second molars 95) such that the erupted teeth  
act as physical rests to hold the surgical stent 80 in  
place.

- 25 ■ The surgical stent design software suite designs and  
fabricates custom surgical stents 80 in accordance  
with the methods discussed in the Therapeutic Tooth  
Bud Ablation Properties and known methods. Further,  
the surgical stent design software suite preferably  
formats the information about the custom designed  
surgical stent to be held as at least one output file  
30 (e.g. an \*.stl output file). The output file(s) may be  
used for creating the surgical stent 80 using, for  
example, three-dimensional printing. In other  
instances, the output files may result in mapping a  
virtual stent 82', 86', 88'.

- 5
- The surgical stent design software suite may work with CBCT software or may include custom software enhancements in CBCT software that assists in the rapid design and manufacturing of the custom surgical stents 80.
- 10
- Determination of Optimal Settings: The surgical stent design software suite preferably calculates and/or defines the optimum intra-operative ablation power and time settings (power and time dosage). (FIG. 18 shows the effects of power and time on the ablation area in an exemplary modeling.) The determination of ideal power and time (duration) settings for ablation take into consideration factors including, but not limited to, the profile of the ablation probe systems 50 (e.g. the zone(s) 150, 160, 170 produced by the ablation probe tip(s) 100), the tooth bud dimensions (computed from the volume scan images in the surgical stent design software suite), and the patient's age (during the ages of 6-12, a patient's tooth buds will generally have a diameter in the range of 4 mm to 12 mm). Ablation dose energy and treatment times are preferably incrementally compensated for increased tooth bud volumes. These patient and tooth-specific settings are then stored in a database (e.g. a volume scan information technology file) for later upload to the ablation source 60 when the operator sets it up or it may be part of the custom surgical guide kit (e.g. a prescription).
- 15
- 20
- 25
- Custom Surgical Kits: Components of the custom surgical stent may be fabricated using a surgical stent design software suite that may be implemented as one or more programs, subprograms, applications, or modules to control production and/or calculate digital data (e.g. parameter settings 64 and/or treatment time settings 66).
- 30
- A custom surgical kit preferably includes necessary components for the procedure. These necessary components include, but are not limited to, at least

one sterile custom surgical stent 80, at least one sterile probe tip (ablation probe tip 100), instructional paperwork (or an indication of where instructions may be found – e.g. online), the calculated optimal settings (or an indication of where the optimal settings may be found – e.g. online), and/or a patient identification key provided with the kit. The custom surgical kit is preferably disposable.

It should be noted that some of the custom surgical kit components may be combined. For example, the instructional paperwork may be a small card with a website address and the patient identification key. The user may enter the patient identification key at the website address to obtain the calculated optimal settings.

It should be noted that the “instructional paperwork” may be printed or may be accessed electronically (e.g. via a website, a CD, or a thumb drive).

The at least one ablation probe tip 100 in the surgical kit is matched to the patient’s custom surgical stent 80. Alternatively, a family of probe tips (e.g. 2-10 ablation probe tips) may be included in the surgical kit to cover multiple possible tooth bud depth and tooth bud volume relationships. The family of probe tips would have probe tips of differing characteristics such as differing lengths (e.g. the distance from the tip mechanical stop 106 to the center of ablation 124 and/or the distance from the tip mechanical stop 106 to the insertion end 104), connection structure (e.g. the connections structure that mates with the hand piece 52) and/or widths. If a family of probe tips is provided, the correct ablation probe tip 100 would be clearly indicated or a method for determining the correct ablation probe tip 100 would be provided (e.g.

5 color-coding on the manufactured stent with a table  
showing which ablation probe tip would be used for  
each color). Alternatively, the surgical kit may not  
include a probe tip, but instead include a specific  
10 indication as to the ablation probe tip 100 that is  
necessary (e.g. ablation probe tip 100 that is matched  
to the patient's custom surgical stent 80). This  
specific indication might include the brand, model, and  
size of the correct ablation probe tip 100. The  
15 ablation probe tip(s) 100 may be individually  
packaged (or packaged as a family), sterile, and  
disposable.

- The custom surgical kit is preferably labeled and  
packaged. Labeling may be customized for each  
20 package to indicate information including, but not  
limited to, the patient's name (and/or other identifying  
information), part numbers, treating doctor's name  
(and/or other identifying information such as the  
address), and the patient identification key.
- Operator Use of the Custom Surgical Kit to ablate a tooth  
bud 92 (without ablating overlaying gingival tissue 94) with  
minimal pain and minimal infection potential.
  - The operator sets up for the procedure by powering  
up the ablation generator (ablation source 60). On  
25 power up the correct procedure information or patient  
identification key (which may be any predetermined  
information or code) is preferably entered into the  
generator, which then accesses and downloads the  
patient's name and preprogrammed settings for each  
30 tooth to be ablated from a database (which may be a  
database controlled by a central company or one of  
many databases). The system may be structured  
such that the preprogrammed settings cannot be



changed (i.e. an operator cannot input or adjust the power level or time settings).

5

- The hand piece 52 is preferably functionally connected to the ablation source 60. The disposable ablation probe tip 100 is preferably also functionally attached to the ablation hand piece 52. The hand piece 52 may have a “chuck” (which may be a push-button electrical connector “chuck” that provides rapid and reliable setup and easy maintenance) into which the ablation probe tip 100 may be inserted and secured.

10

15

- The operator may start the procedure by placing the surgical stent 80 onto the patient’s teeth prior to administering local anesthetic. Then the local anesthetic (1/4 carpule per site) is generally administered through the surgical guides 82 of the surgical stent 80, and directly into or around the tooth bud 92 by placing the tip of the needle into the predetermined physical location. Precision placement of the anesthetic reduces the quantity necessary for the procedure.

20

25

- Once the patient is anesthetized, a waiting period is preferably provided to allow the anesthetic solution to physically dissipate to avoid altering the tooth bud’s volume. During the waiting period, the operator may functionally connect the sterile ablation probe tip 100 to the hand piece 52 and power-on the ablation source 60 if these steps have not already been performed. The surgical stent 80 may also be reseated at this time.

30

- When everything is ready, the operator begins performing the ablation procedure by reseating the surgical stent 80 (if it hasn’t already been done), gripping the hand piece 52, and inserting the self-

- 5 penetrating ablation probe tip 100 through the surgical guide 82 to a full stop to puncture and penetrate the oral mucosal tissue and come to a correct final stop position with the center of ablation 124 within in the tooth bud 92 (e.g. in the middle of the tooth bud 93). To verify full-stop positioning, the ablation probe tip 100 is pressed to a full stop to secure the probe tip shaft in the surgical stent 80 (and particularly to the area surrounding the surgical guide 82) to position the
- 10 ablation probe tip 100 at the predetermined angle and depth of the probe tip's predetermined center of ablation 124 in the center of the tooth bud 92.
- 15 Once the ablation probe tip 100 is positioned so that the center of ablation 124 is in the center of the tooth bud 92, the ablation source 60 may be activated. Activation may be accomplished using a direct activator (button) or a remote activator (e.g. a wireless foot pedal) in order to deliver the total energy dose according to the patient-specific time/power levels.
  - 20 Ablation times are set based upon the system power, predetermined tooth bud volume and other parameters. The ablation means 62 will preferably monitor the procedure progress. The ablation probe tip 100 output may be monitored by percentage of
  - 25 reflected energy in order to positively confirm delivery of the proper procedure ablation dose. A visual and/or audible signal may be provided to indicate a successful delivery of the ablation energy when the ablation is complete.
  - 30 The operator then withdraws the ablation probe tip 100 and removes the surgical stent 80. No sutures are required and there is generally very little bleeding following the procedure. The patient is free to assume normal activities immediately.

## Distinctions:

The NEUWAVE™ Microwave Ablation System is described in the Background. It is described as being able to ablate lesions with consistency and control to help protect non-target tissue. More specifically, the NEUWAVE™ System and NEUWAVE PR Probe is described as having a burn pattern that controls the ablation distance past the probe tip. The NEUWAVE™ System always produces an oblong ablation zone that asymmetrically migrates up the shaft of the probe, which means the center of ablation is moving up the shaft during the procedure and the outer margins of the zone of ablation are moving up the shaft as the zone of ablation expands. The NEUWAVE System relies on coherent microwave emissions with at least  $\frac{1}{4}$  wavelengths. Because of this, there is no physical ability to shape the ablation zone to alternative shapes using the NEUWAVETM PR probe or NEUWAVE SYSTEM. Among the ways the invention described herein addresses the PR probe's limitations is by having a stationary center of ablation and eliminating asymmetric ablation pattern migration up the probe while also being able to shape effectively the pattern to fit the desired ablation pattern.

U.S. Patent No. 7,611,508 to Yang et al. is discussed in the Background. Yang describes an antenna for microwave tumor ablation that has coaxial antenna conductors surrounded by an insulated sleeve of length and size promoting destructive interference of axial microwave energy passing inside and outside of the sleeve to limit migration of SAR power toward the skin. Yang's floating sleeve provides destructive cancellation or wave interference of the microwaves. Changing the position of the sleeves changes the effective size of the heating pattern as a result of changing the degree of destructive cancellation or wave interference. Yang, operating at 2.45 GHz, would have wavelengths operating at odd multiples of  $\frac{1}{2}$  the wavelength, which is  $1 * 12.2 \text{ cm} (122 \text{ mm}) * 0.5 = 6.1 \text{ cm} (61 \text{ mm})$  or longer as higher odd multiples are used. This means that Yang operates using far field radiation regions of the electromagnetic field (EM) surrounding the antenna where microwaves can radiate in a coherent fashion. Among the ways the invention described herein addresses Yang's limitations is by

eliminating ablation pattern migration up the probe by having a stationary center of ablation while also being able to effectively shape the pattern to fit the desired ablation pattern.

In contrast to the NEUWAVE PR Probe and Yang probe designs, which rely on far field coherent waveform, the ablation probes described herein function in the near field non-radiative (near field reactive) regions of the electromagnetic field (EM) surrounding the antenna where microwaves radiate in a noncoherent fashion. Near field reactive regions are generally considered to be wavelengths of  $\lambda/2\pi \sim 0.159$  or less. The ablation probes described herein preferably operate at a wide range of wavelengths, but for soft tissue ablation at 2.45 GHz, the near field reactive aperture would preferably be less than 20 mm. For 12 GHz, the wavelength is shorter (e.g. 25 mm), which means the aperture and effective antenna length the probe preferably is 4 mm or less to provide optimal shaping and centering directed properties. The heat transfer layer 130 described herein is preferably able to take advantage of tissue quenching because there is no coherent waveform being emitted. In sharp contrast, the antenna described in the Yang reference starts with the shortest antenna length of 22 mm from the proximal end of the ablation probe and is elongated in increments of  $\frac{1}{2}$  wavelengths further up the ablation probe as the floating sleeve is moved further up the shaft (per Yang FIG. 6, the distances labeled with reference numbers 62a, 62b, and 62c) making ablation zone shaping in a space of less than 30 mm physically impossible.

25

#### Miscellaneous:

It is to be understood that the inventions, examples, and embodiments described herein are not limited to particularly exemplified materials, methods, and/or structures. It is to be understood that the inventions, examples, and embodiments described herein are to be considered preferred inventions, examples, and embodiments whether specifically identified as such or not. The shown inventions, examples, and embodiments are preferred, but are not meant to be limiting unless

30

specifically claimed, in which case they may limit the scope of that particular claim.

All references (including, but not limited to, publications, patents, and patent applications) cited herein, whether *supra* or *infra*, are hereby  
5 incorporated by reference in their entirety.

The terms and expressions that have been employed in the foregoing specification are used as terms of description and not of limitation, and are not intended to exclude equivalents of the features shown and described. While the above is a complete description of selected  
10 embodiments of the present invention, it is possible to practice the invention using various alternatives, modifications, adaptations, variations, and/or combinations and their equivalents. It will be appreciated by those of ordinary skill in the art that any arrangement that is calculated to achieve the same purpose may be substituted for the specific embodiment shown. It is also to  
15 be understood that this description intended to cover all of the generic and specific features of the invention herein described and all statements of the scope of the invention that, as a matter of language, might be said to fall therebetween.

## WHAT IS CLAIMED IS:

1. An ablation probe tip having a shaft with an insertion end, said ablation probe tip receiving ablation means from an ablation source, said  
5 ablation probe tip for ablating targeted tissue, said ablation probe tip comprising:
- (a) said shaft including a coaxial antenna;
  - (b) an annular aperture defined in at least one outer layer of said coaxial antenna toward said insertion end;
  - 10 (c) a center of ablation located within said coaxial antenna and surrounded by said annular aperture, said center of ablation being a focal region from which said ablation means radiates through said annular aperture to form an ablation zone; and
  - 15 (d) said ablation zone having a predetermined power loading density in said ablation zone.
2. The ablation probe tip of claim 1, said ablation zone for selectively ablating said targeted tissue while mitigating damage to  
20 immediately adjacent collateral tissues.
3. The ablation probe tip of claim 1, wherein at least some of said targeted tissue is destroyed by said ablation zone.
- 25 4. The ablation probe tip of claim 1, said annular aperture being a short annular aperture for creating a short active heating zone surrounding said annular aperture, said short active heating zone for creating high power loading in said ablation zone.
- 30 5. The ablation probe tip of claim 1, said annular aperture being a short annular aperture for creating a short active heating zone surrounding said annular aperture, said short active heating zone for creating high peak temperatures in said ablation zone.

6. The ablation probe tip of claim 1, said annular aperture being a medium annular aperture for creating a medium active heating zone surrounding said annular aperture, said medium active heating zone for creating medium power loading in said ablation zone.

5

7. The ablation probe tip of claim 1, said annular aperture being a medium annular aperture for creating a medium active heating zone surrounding said annular aperture, said medium active heating zone for creating medium peak temperatures in said ablation zone.

10

8. The ablation probe tip of claim 1, said annular aperture being a long annular aperture for creating a long active heating zone surrounding said annular aperture, said long active heating zone for creating low power loading in said ablation zone.

15

9. The ablation probe tip of claim 1, said annular aperture being a long annular aperture for creating a long active heating zone surrounding said annular aperture, said long active heating zone for creating low peak temperatures in said ablation zone.

20

10. The ablation probe tip of claim 1, said coaxial antenna being a near field antenna.

11. The ablation probe tip of claim 1, said coaxial antenna being a near field antenna, said center of ablation being a stationary center of ablation.

25

12. The ablation probe tip of claim 1, said coaxial antenna being a near field antenna, said near field antenna preventing said center of ablation from migrating up said shaft away from said insertion end.

30

13. The ablation probe tip of claim 1 further comprising an annular heat transfer layer surrounding said coaxial antenna.

5 14. The ablation probe tip of claim 1 further comprising an annular heat transfer layer surrounding said coaxial antenna and spaced from said insertion end such that said annular aperture is between said annular heat transfer layer and said insertion end.

10 15. The ablation probe tip of claim 1 further comprising an annular heat transfer layer surrounding said coaxial antenna and spaced from said insertion end such that said annular aperture is between said annular heat transfer layer and said insertion end, wherein said annular heat transfer layer prevents said center of ablation from migrating up said shaft away from said insertion end.

15

16. The ablation probe tip of claim 1, said ablation zone having a predetermined shape selected from the group consisting of oblate, spherical, and oblong.

20

17. The ablation probe tip of claim 1 further comprising an annular heat transfer layer surrounding said coaxial antenna and spaced from said insertion end such that said annular aperture is between said annular heat transfer layer and said insertion end, said ablation zone having a predetermined shape, said predetermined shape determined by an aperture offset, said aperture offset being a distance between said center of ablation and an annular edge of said annular heat transfer layer.

25

18. The ablation probe tip of claim 1 further comprising an annular heat transfer layer surrounding said coaxial antenna and spaced from said insertion end such that said annular aperture is between said annular heat transfer layer and said insertion end, said ablation zone having a predetermined shape, said predetermined shape determined by an aperture offset, said aperture offset being a distance between said center of ablation and an annular edge of said annular heat transfer layer, an oblate ablation

30



zone having a relatively short aperture offset, an oblong ablation zone having a relatively long aperture offset, and a spherical ablation zone having an aperture offset between said aperture offsets of said oblate ablation zone and said oblong ablation zone.

5

19. The ablation probe tip of claim 1 further comprising an annular heat transfer layer surrounding said coaxial antenna, said coaxial antenna further comprising an insulation annular layer annularly surrounding said coaxial antenna, said annular heat transfer layer annularly surrounding said insulation annular layer.

10

20. The ablation probe tip of claim 1 further comprising an antenna end load positioned between said annular aperture and said insertion end.

15

21. The ablation probe tip of claim 1 further comprising an antenna end load positioned between said annular aperture and said insertion end, said antenna end load concentrating energy density and increasing power loading.

20

22. The ablation probe tip of claim 1 further comprising an annular heat transfer layer surrounding said coaxial antenna and spaced from said insertion end such that said annular aperture is between said annular heat transfer layer and said insertion end, said annular heat transfer layer having high thermal conductivity and being electrically conductive.

25

23. The ablation probe tip of claim 1, said coaxial antenna including an inner conductor, an annular dielectric insulator layer surrounding said inner conductor, and an annular outer conductor surrounding said annular dielectric insulator layer, said annular aperture exposing an annular ring of said annular dielectric insulator layer.

30

24. The ablation probe tip of claim 1, said ablation probe tip being part of a surgical ablation kit including an ablation source, a hand piece, a stent, and a prescription.

5 25. The ablation probe tip of claim 1, said ablation probe tip being part of a surgical ablation kit including an ablation source, a hand piece, a stent, and a prescription, said prescription including at least one setting or parameter selected from the group consisting of:

- 10 (a) ablation energy dose tolerances;  
(b) level of energy; and  
(c) duration of energy deliverance.

15 26. The ablation probe tip of claim 1, said ablation probe tip for working in conjunction with a stent, said stent having a surgical guide, said surgical guide for guiding said ablation probe tip so that said center of ablation is within tissue.

20 27. The ablation probe tip of claim 1, said coaxial antenna being a near field reactive antenna.

25 28. The ablation probe tip of claim 1 further comprising an annular heat transfer layer surrounding said coaxial antenna and spaced from said insertion end such that said annular aperture is between said annular heat transfer layer and said insertion end, wherein said annular heat transfer layer blocks said ablation means from migrating up said shaft away from said insertion end, and said annular heat transfer layer allows thermal energy from said ablation zone to conduct up said shaft away from said insertion end.

30 29. The ablation probe tip of claim 1, said ablation probe tip being part of an ablation probe system having peak temperature intra-operative control selected from the group consisting of:

- (a) passive cooling;  
(b) active cooling; and  
(c) a combination of passive and active cooling.

30. The ablation probe tip of claim 1 further comprising an annular heat transfer layer surrounding said coaxial antenna and spaced from said insertion end such that said annular aperture is between said annular  
5 heat transfer layer and said insertion end, said annular heat transfer layer being quenched by transferring thermal energy from said annular heat transfer layer into soft tissue surrounding said annular heat transfer layer.

31. The ablation probe tip of claim 1, said ablation probe tip  
10 being part of an ablation probe system having intra-operative control of a volume of said ablation zone.

32. The ablation probe tip of claim 1, said ablation probe tip  
15 being part of an ablation probe system having intra-operative control of a diameter of said ablation zone.

33. The ablation probe tip of claim 1, said ablation probe tip and said ablation means together allowing for at least one intra-operative control selected from the group consisting of:

- 20 (a) position of said ablation zone;  
(b) shaping of said ablation zone;  
(c) centering of said ablation zone;  
(d) peak temperature of said ablation zone;  
(e) volume of said ablation zone; and  
25 (f) diameter of said ablation zone.

34. The ablation probe tip of claim 1, said ablation probe tip being a micro-ablation ablation probe tip.

30 35. The ablation probe tip of claim 1, said ablation probe tip being a microwave ablation probe tip.

36. The ablation probe tip of claim 1, said ablation probe tip being a microwave ablation probe tip for receiving microwave energy from said ablation source as said ablation means, said microwave energy being delivered to said target tissue via said ablation probe tip.

5

37. The ablation probe tip of claim 1, said ablation probe tip being a microwave ablation probe tip for receiving microwave energy from said ablation source as said ablation means, said ablation source providing microwave energy at frequencies ranging from 500 MHz to 20 GHz.

10

38. The ablation probe tip of claim 1, said ablation probe tip being a radiofrequency ablation probe tip.

39. An ablation probe tip having a shaft with an insertion end, said ablation probe tip receiving ablation means from an ablation source, said ablation probe tip for ablating targeted tissue, said ablation probe tip comprising:

15

- (a) said shaft including a coaxial antenna;
- (b) an annular aperture defined in at least one outer layer of said coaxial antenna toward said insertion end;
- (c) a center of ablation located within said coaxial antenna and surrounded by said annular aperture, said center of ablation being a focal region from which said ablation means radiates through said annular aperture to form an ablation zone; and
- (d) said ablation zone having a predetermined peak temperature in said ablation zone.

20

25

40. The ablation probe tip of claim 39, said ablation zone for selectively ablating said targeted tissue while mitigating damage to immediately adjacent collateral tissues.

30

41. The ablation probe tip of claim 39, wherein at least some of said targeted tissue is destroyed by said ablation zone.

42. The ablation probe tip of claim 39, said annular aperture being a short annular aperture for creating a short active heating zone surrounding said annular aperture, said short active heating zone for creating  
5 high power loading in said ablation zone.

43. The ablation probe tip of claim 39, said annular aperture being a short annular aperture for creating a short active heating zone surrounding said annular aperture, said short active heating zone for creating  
10 high peak temperatures in said ablation zone.

44. The ablation probe tip of claim 39, said annular aperture being a medium annular aperture for creating a medium active heating zone surrounding said annular aperture, said medium active heating zone for  
15 creating medium power loading in said ablation zone.

45. The ablation probe tip of claim 39, said annular aperture being a medium annular aperture for creating a medium active heating zone surrounding said annular aperture, said medium active heating zone for  
20 creating medium peak temperatures in said ablation zone.

46. The ablation probe tip of claim 39, said annular aperture being a long annular aperture for creating a long active heating zone surrounding said annular aperture, said long active heating zone for creating  
25 low power loading in said ablation zone.

47. The ablation probe tip of claim 39, said annular aperture being a long annular aperture for creating a long active heating zone surrounding said annular aperture, said long active heating zone for creating  
30 low peak temperatures in said ablation zone.

48. The ablation probe tip of claim 39, said coaxial antenna being a near field antenna.

49. The ablation probe tip of claim 39, said coaxial antenna being a near field antenna, said center of ablation being a stationary center of ablation.

5 50. The ablation probe tip of claim 39, said coaxial antenna being a near field antenna, said near field antenna preventing said center of ablation from migrating up said shaft away from said insertion end.

10 51. The ablation probe tip of claim 39 further comprising an annular heat transfer layer surrounding said coaxial antenna.

15 52. The ablation probe tip of claim 39 further comprising an annular heat transfer layer surrounding said coaxial antenna and spaced from said insertion end such that said annular aperture is between said annular heat transfer layer and said insertion end.

20 53. The ablation probe tip of claim 39 further comprising an annular heat transfer layer surrounding said coaxial antenna and spaced from said insertion end such that said annular aperture is between said annular heat transfer layer and said insertion end, wherein said annular heat transfer layer prevents said center of ablation from migrating up said shaft away from said insertion end.

25 54. The ablation probe tip of claim 39, said ablation zone having a predetermined shape selected from the group consisting of oblate, spherical, and oblong.

30 55. The ablation probe tip of claim 39 further comprising an annular heat transfer layer surrounding said coaxial antenna and spaced from said insertion end such that said annular aperture is between said annular heat transfer layer and said insertion end, said ablation zone having a predetermined shape, said predetermined shape determined by an aperture offset, said aperture offset being a distance between said center of ablation and an annular edge of said annular heat transfer layer.

56. The ablation probe tip of claim 39 further comprising an annular heat transfer layer surrounding said coaxial antenna and spaced from said insertion end such that said annular aperture is between said annular  
5 heat transfer layer and said insertion end, said ablation zone having a predetermined shape, said predetermined shape determined by an aperture offset, said aperture offset being a distance between said center of ablation and an annular edge of said annular heat transfer layer, an oblate ablation zone having a relatively short aperture offset, an oblong ablation zone having  
10 a relatively long aperture offset, and a spherical ablation zone having an aperture offset between said aperture offsets of said oblate ablation zone and said oblong ablation zone.

57. The ablation probe tip of claim 39 further comprising an  
15 annular heat transfer layer surrounding said coaxial antenna, said coaxial antenna further comprising an insulation annular layer annularly surrounding said coaxial antenna, said annular heat transfer layer annularly surrounding said insulation annular layer.

20 58. The ablation probe tip of claim 39 further comprising an antenna end load positioned between said annular aperture and said insertion end.

25 59. The ablation probe tip of claim 39 further comprising an antenna end load positioned between said annular aperture and said insertion end, said antenna end load concentrating energy density and increasing power loading.

30 60. The ablation probe tip of claim 39 further comprising an annular heat transfer layer surrounding said coaxial antenna and spaced from said insertion end such that said annular aperture is between said annular heat transfer layer and said insertion end, said annular heat transfer layer having high thermal conductivity and being electrically conductive.

61. The ablation probe tip of claim 39, said coaxial antenna including an inner conductor, an annular dielectric insulator layer surrounding said inner conductor, and an annular outer conductor surrounding said annular dielectric insulator layer, said annular aperture exposing an annular ring of said annular dielectric insulator layer.

5

62. The ablation probe tip of claim 39, said ablation probe tip being part of a surgical ablation kit including an ablation source, a hand piece, a stent, and a prescription.

10

63. The ablation probe tip of claim 39, said ablation probe tip being part of a surgical ablation kit including an ablation source, a hand piece, a stent, and a prescription, said prescription including at least one setting or parameter selected from the group consisting of:

15

- (a) ablation energy dose tolerances;
- (b) level of energy; and
- (c) duration of energy deliverance.

20

64. The ablation probe tip of claim 39, said ablation probe tip for working in conjunction with a stent, said stent having a surgical guide, said surgical guide for guiding said ablation probe tip so that said center of ablation is within tissue.

25

65. The ablation probe tip of claim 39, said coaxial antenna being a near field reactive antenna.

30

66. The ablation probe tip of claim 39 further comprising an annular heat transfer layer surrounding said coaxial antenna and spaced from said insertion end such that said annular aperture is between said annular heat transfer layer and said insertion end, wherein said annular heat transfer layer blocks said ablation means from migrating up said shaft away from said insertion end, and said annular heat transfer layer allows thermal energy from said ablation zone to conduct up said shaft away from said insertion end.



67. The ablation probe tip of claim 39, said ablation probe tip being part of an ablation probe system having peak temperature intra-operative control selected from the group consisting of:

- 5
- (a) passive cooling;
  - (b) active cooling; and
  - (c) a combination of passive and active cooling.

68. The ablation probe tip of claim 39 further comprising an annular heat transfer layer surrounding said coaxial antenna and spaced from said insertion end such that said annular aperture is between said annular heat transfer layer and said insertion end, said annular heat transfer layer being quenched by transferring thermal energy from said annular heat transfer layer into soft tissue surrounding said annular heat transfer layer.

10

69. The ablation probe tip of claim 39, said ablation probe tip being part of an ablation probe system having intra-operative control of a volume of said ablation zone.

15

70. The ablation probe tip of claim 39, said ablation probe tip being part of an ablation probe system having intra-operative control of a diameter of said ablation zone.

20

71. The ablation probe tip of claim 39, said ablation probe tip and said ablation means together allowing for at least one intra-operative control selected from the group consisting of:

25

- (a) position of said ablation zone;
  - (b) shaping of said ablation zone;
  - (c) centering of said ablation zone;
  - (d) peak temperature of said ablation zone;
  - (e) volume of said ablation zone; and
  - (f) diameter of said ablation zone.
- 30

72. The ablation probe tip of claim 39, said ablation probe tip being a micro-ablation ablation probe tip.

5 73. The ablation probe tip of claim 39, said ablation probe tip being a microwave ablation probe tip.

10 74. The ablation probe tip of claim 39, said ablation probe tip being a microwave ablation probe tip for receiving microwave energy from said ablation source as said ablation means, said microwave energy being delivered to said target tissue via said ablation probe tip.

15 75. The ablation probe tip of claim 39, said ablation probe tip being a microwave ablation probe tip for receiving microwave energy from said ablation source as said ablation means, said ablation source providing microwave energy at frequencies ranging from 500 MHz to 20 GHz.

76. The ablation probe tip of claim 39, said ablation probe tip being a radiofrequency ablation probe tip.

20 77. An ablation probe tip having a shaft with an insertion end, said ablation probe tip receiving ablation means from an ablation source, said ablation probe tip for ablating targeted tissue, said ablation probe tip comprising:

- 25 (a) said shaft including a coaxial antenna;
- (b) an annular aperture defined in at least one outer layer of said coaxial antenna toward said insertion end;
- 30 (c) a center of ablation located within said coaxial antenna and surrounded by said annular aperture, said center of ablation being a focal region from which said ablation means radiates through said annular aperture to form an ablation zone; and

(d) said ablation zone having an annular aperture and a power loading density in said ablation zone, said annular aperture and said power loading density selected from the group consisting of:

- 5
- (i) a short annular aperture and high power loading;
  - (ii) a medium annular aperture and medium power loading; and
  - (iii) a long annular aperture and low power loading.

10                    78. The ablation probe tip of claim 77, said ablation zone for selectively ablating said targeted tissue while mitigating damage to immediately adjacent collateral tissues.

15                    79. The ablation probe tip of claim 77, wherein at least some of said targeted tissue is destroyed by said ablation zone.

                      80. The ablation probe tip of claim 77, said ablation zone having a peak temperature in said ablation zone selected from the group consisting of:

- 20                    (a) said peak temperature in said ablation zone is a high peak temperature if said annular aperture is a short annular aperture;
- (b) said peak temperature in said ablation zone is a medium peak temperature if said annular aperture is a medium annular aperture; and
- 25                    (c) said peak temperature in said ablation zone is a low peak temperature if said annular aperture is a long annular aperture.

30                    81. The ablation probe tip of claim 77, said coaxial antenna being a near field antenna.

82. The ablation probe tip of claim 77, said coaxial antenna being a near field antenna, said center of ablation being a stationary center of ablation.

5 83. The ablation probe tip of claim 77, said coaxial antenna being a near field antenna, said near field antenna preventing said center of ablation from migrating up said shaft away from said insertion end.

10 84. The ablation probe tip of claim 77 further comprising an annular heat transfer layer surrounding said coaxial antenna.

15 85. The ablation probe tip of claim 77 further comprising an annular heat transfer layer surrounding said coaxial antenna and spaced from said insertion end such that said annular aperture is between said annular heat transfer layer and said insertion end.

20 86. The ablation probe tip of claim 77 further comprising an annular heat transfer layer surrounding said coaxial antenna and spaced from said insertion end such that said annular aperture is between said annular heat transfer layer and said insertion end, wherein said annular heat transfer layer prevents said center of ablation from migrating up said shaft away from said insertion end.

25 87. The ablation probe tip of claim 77, said ablation zone having a predetermined shape selected from the group consisting of oblate, spherical, and oblong.

30 88. The ablation probe tip of claim 77 further comprising an annular heat transfer layer surrounding said coaxial antenna and spaced from said insertion end such that said annular aperture is between said annular heat transfer layer and said insertion end, said ablation zone having a predetermined shape, said predetermined shape determined by an aperture offset, said aperture offset being a distance between said center of ablation and an annular edge of said annular heat transfer layer.

89. The ablation probe tip of claim 77 further comprising an annular heat transfer layer surrounding said coaxial antenna and spaced from said insertion end such that said annular aperture is between said annular  
5 heat transfer layer and said insertion end, said ablation zone having a predetermined shape, said predetermined shape determined by an aperture offset, said aperture offset being a distance between said center of ablation and an annular edge of said annular heat transfer layer, an oblate ablation zone having a relatively short aperture offset, an oblong ablation zone having  
10 a relatively long aperture offset, and a spherical ablation zone having an aperture offset between said aperture offsets of said oblate ablation zone and said oblong ablation zone.

90. The ablation probe tip of claim 77 further comprising an  
15 annular heat transfer layer surrounding said coaxial antenna, said coaxial antenna further comprising an insulation annular layer annularly surrounding said coaxial antenna, said annular heat transfer layer annularly surrounding said insulation annular layer.

20 91. The ablation probe tip of claim 77 further comprising an antenna end load positioned between said annular aperture and said insertion end.

25 92. The ablation probe tip of claim 77 further comprising an antenna end load positioned between said annular aperture and said insertion end, said antenna end load concentrating energy density and increasing power loading.

30 93. The ablation probe tip of claim 77 further comprising an annular heat transfer layer surrounding said coaxial antenna and spaced from said insertion end such that said annular aperture is between said annular heat transfer layer and said insertion end, said annular heat transfer layer having high thermal conductivity and being electrically conductive.

94. The ablation probe tip of claim 77, said coaxial antenna including an inner conductor, an annular dielectric insulator layer surrounding said inner conductor, and an annular outer conductor surrounding said annular dielectric insulator layer, said annular aperture exposing an annular ring of said annular dielectric insulator layer.

95. The ablation probe tip of claim 77, said ablation probe tip being part of a surgical ablation kit including an ablation source, a hand piece, a stent, and a prescription.

96. The ablation probe tip of claim 77, said ablation probe tip being part of a surgical ablation kit including an ablation source, a hand piece, a stent, and a prescription, said prescription including at least one setting or parameter selected from the group consisting of:

- (a) ablation energy dose tolerances;
- (b) level of energy; and
- (c) duration of energy deliverance.

97. The ablation probe tip of claim 77, said ablation probe tip for working in conjunction with a stent, said stent having a surgical guide, said surgical guide for guiding said ablation probe tip so that said center of ablation is within tissue.

98. The ablation probe tip of claim 77, said coaxial antenna being a near field reactive antenna.

99. The ablation probe tip of claim 77 further comprising an annular heat transfer layer surrounding said coaxial antenna and spaced from said insertion end such that said annular aperture is between said annular heat transfer layer and said insertion end, wherein said annular heat transfer layer blocks said ablation means from migrating up said shaft away from said insertion end, and said annular heat transfer layer allows thermal energy from said ablation zone to conduct up said shaft away from said insertion end.

100. The ablation probe tip of claim 77, said ablation probe tip being part of an ablation probe system having peak temperature intra-operative control selected from the group consisting of:

- 5
- (a) passive cooling;
  - (b) active cooling; and
  - (c) a combination of passive and active cooling.

101. The ablation probe tip of claim 77 further comprising an annular heat transfer layer surrounding said coaxial antenna and spaced from said insertion end such that said annular aperture is between said annular heat transfer layer and said insertion end, said annular heat transfer layer being quenched by transferring thermal energy from said annular heat transfer layer into soft tissue surrounding said annular heat transfer layer.

10

102. The ablation probe tip of claim 77, said ablation probe tip being part of an ablation probe system having intra-operative control of a volume of said ablation zone.

15

103. The ablation probe tip of claim 77, said ablation probe tip being part of an ablation probe system having intra-operative control of a diameter of said ablation zone.

20

104. The ablation probe tip of claim 77, said ablation probe tip and said ablation means together allowing for at least one intra-operative control selected from the group consisting of:

25

- (a) position of said ablation zone;
  - (b) shaping of said ablation zone;
  - (c) centering of said ablation zone;
  - (d) peak temperature of said ablation zone;
  - (e) volume of said ablation zone; and
  - (f) diameter of said ablation zone.
- 30

105. The ablation probe tip of claim 77, said ablation probe tip being a micro-ablation ablation probe tip.

5 106. The ablation probe tip of claim 77, said ablation probe tip being a microwave ablation probe tip.

107. The ablation probe tip of claim 77, said ablation probe tip being a microwave ablation probe tip for receiving microwave energy from said ablation source as said ablation means, said microwave energy being  
10 delivered to said target tissue via said ablation probe tip.

108. The ablation probe tip of claim 77, said ablation probe tip being a microwave ablation probe tip for receiving microwave energy from said ablation source as said ablation means, said ablation source providing  
15 microwave energy at frequencies ranging from 500 MHz to 20 GHz.

109. The ablation probe tip of claim 77, said ablation probe tip being a radiofrequency ablation probe tip.

20 110. An ablation probe tip having a shaft with an insertion end, said ablation probe tip receiving ablation means from an ablation source, said ablation probe tip for ablating targeted tissue, said ablation probe tip comprising:

- 25 (a) said shaft including a coaxial antenna;
- (b) an annular aperture defined in at least one outer layer of said coaxial antenna toward said insertion end;
- (c) a center of ablation located within said coaxial antenna and surrounded by said annular aperture, said center of ablation being a focal region from which said ablation  
30 means radiates through said annular aperture to form an ablation zone; and



(d) said ablation zone having an annular aperture and a peak temperature in said ablation zone, said annular aperture and said peak temperature selected from the group consisting of:

- 5 (i) a short annular aperture and high peak temperature;
- (ii) a medium annular aperture and medium peak temperature; and
- (iii) a long annular aperture and low peak temperature.

10

111. The ablation probe tip of claim 110, said ablation zone for selectively ablating said targeted tissue while mitigating damage to immediately adjacent collateral tissues.

15

112. The ablation probe tip of claim 110, wherein at least some of said targeted tissue is destroyed by said ablation zone.

113. The ablation probe tip of claim 110, said coaxial antenna being a near field antenna.

20

114. The ablation probe tip of claim 110, said coaxial antenna being a near field antenna, said center of ablation being a stationary center of ablation.

25

115. The ablation probe tip of claim 110, said coaxial antenna being a near field antenna, said near field antenna preventing said center of ablation from migrating up said shaft away from said insertion end.

30

116. The ablation probe tip of claim 110 further comprising an annular heat transfer layer surrounding said coaxial antenna.

117. The ablation probe tip of claim 110 further comprising an annular heat transfer layer surrounding said coaxial antenna and spaced from said insertion end such that said annular aperture is between said annular heat transfer layer and said insertion end.

5

118. The ablation probe tip of claim 110 further comprising an annular heat transfer layer surrounding said coaxial antenna and spaced from said insertion end such that said annular aperture is between said annular heat transfer layer and said insertion end, wherein said annular heat transfer layer prevents said center of ablation from migrating up said shaft away from said insertion end.

10

119. The ablation probe tip of claim 110, said ablation zone having a predetermined shape selected from the group consisting of oblate, spherical, and oblong.

15

120. The ablation probe tip of claim 110 further comprising an annular heat transfer layer surrounding said coaxial antenna and spaced from said insertion end such that said annular aperture is between said annular heat transfer layer and said insertion end, said ablation zone having a predetermined shape, said predetermined shape determined by an aperture offset, said aperture offset being a distance between said center of ablation and an annular edge of said annular heat transfer layer.

20

121. The ablation probe tip of claim 110 further comprising an annular heat transfer layer surrounding said coaxial antenna and spaced from said insertion end such that said annular aperture is between said annular heat transfer layer and said insertion end, said ablation zone having a predetermined shape, said predetermined shape determined by an aperture offset, said aperture offset being a distance between said center of ablation and an annular edge of said annular heat transfer layer, an oblate ablation zone having a relatively short aperture offset, an oblong ablation zone having a relatively long aperture offset, and a spherical ablation zone having an

25

30

aperture offset between said aperture offsets of said oblate ablation zone and said oblong ablation zone.

5                   122. The ablation probe tip of claim 110 further comprising an annular heat transfer layer surrounding said coaxial antenna, said coaxial antenna further comprising an insulation annular layer annularly surrounding said coaxial antenna, said annular heat transfer layer annularly surrounding said insulation annular layer.

10                   123. The ablation probe tip of claim 110 further comprising an antenna end load positioned between said annular aperture and said insertion end.

15                   124. The ablation probe tip of claim 110 further comprising an antenna end load positioned between said annular aperture and said insertion end, said antenna end load concentrating energy density and increasing power loading.

20                   125. The ablation probe tip of claim 110 further comprising an annular heat transfer layer surrounding said coaxial antenna and spaced from said insertion end such that said annular aperture is between said annular heat transfer layer and said insertion end, said annular heat transfer layer having high thermal conductivity and being electrically conductive.

25                   126. The ablation probe tip of claim 110, said coaxial antenna including an inner conductor, an annular dielectric insulator layer surrounding said inner conductor, and an annular outer conductor surrounding said annular dielectric insulator layer, said annular aperture exposing an annular ring of said annular dielectric insulator layer.

30

                  127. The ablation probe tip of claim 110, said ablation probe tip being part of a surgical ablation kit including an ablation source, a hand piece, a stent, and a prescription.

128. The ablation probe tip of claim 110, said ablation probe tip being part of a surgical ablation kit including an ablation source, a hand piece, a stent, and a prescription, said prescription including at least one setting or parameter selected from the group consisting of:

- 5                   (a) ablation energy dose tolerances;  
                     (b) level of energy; and  
                     (c) duration of energy deliverance.

10                   129. The ablation probe tip of claim 110, said ablation probe tip for working in conjunction with a stent, said stent having a surgical guide, said surgical guide for guiding said ablation probe tip so that said center of ablation is within tissue.

15                   130. The ablation probe tip of claim 110, said coaxial antenna being a near field reactive antenna.

20                   131. The ablation probe tip of claim 110 further comprising an annular heat transfer layer surrounding said coaxial antenna and spaced from said insertion end such that said annular aperture is between said annular heat transfer layer and said insertion end, wherein said annular heat transfer layer blocks said ablation means from migrating up said shaft away from said insertion end, and said annular heat transfer layer allows thermal energy from said ablation zone to conduct up said shaft away from said insertion end.

25                   132. The ablation probe tip of claim 110, said ablation probe tip being part of an ablation probe system having peak temperature intra-operative control selected from the group consisting of:

- 30                   (a) passive cooling;  
                     (b) active cooling; and  
                     (c) a combination of passive and active cooling.

133. The ablation probe tip of claim 110 further comprising an annular heat transfer layer surrounding said coaxial antenna and spaced from said insertion end such that said annular aperture is between said annular heat transfer layer and said insertion end, said annular heat transfer layer  
5 being quenched by transferring thermal energy from said annular heat transfer layer into soft tissue surrounding said annular heat transfer layer.

134. The ablation probe tip of claim 110, said ablation probe tip being part of an ablation probe system having intra-operative control of a  
10 volume of said ablation zone.

135. The ablation probe tip of claim 110, said ablation probe tip being part of an ablation probe system having intra-operative control of a diameter of said ablation zone.  
15

136. The ablation probe tip of claim 110, said ablation probe tip and said ablation means together allowing for at least one intra-operative control selected from the group consisting of:

- 20
- (a) position of said ablation zone;
  - (b) shaping of said ablation zone;
  - (c) centering of said ablation zone;
  - (d) peak temperature of said ablation zone;
  - (e) volume of said ablation zone; and
  - (f) diameter of said ablation zone.

25

137. The ablation probe tip of claim 110, said ablation probe tip being a micro-ablation ablation probe tip.

30

138. The ablation probe tip of claim 110, said ablation probe tip being a microwave ablation probe tip.

139. The ablation probe tip of claim 110, said ablation probe tip being a microwave ablation probe tip for receiving microwave energy from said ablation source as said ablation means, said microwave energy being delivered to said target tissue via said ablation probe tip.

5

140. The ablation probe tip of claim 110, said ablation probe tip being a microwave ablation probe tip for receiving microwave energy from said ablation source as said ablation means, said ablation source providing microwave energy at frequencies ranging from 500 MHz to 20 GHz.

10

141. The ablation probe tip of claim 110, said ablation probe tip being a radiofrequency ablation probe tip.

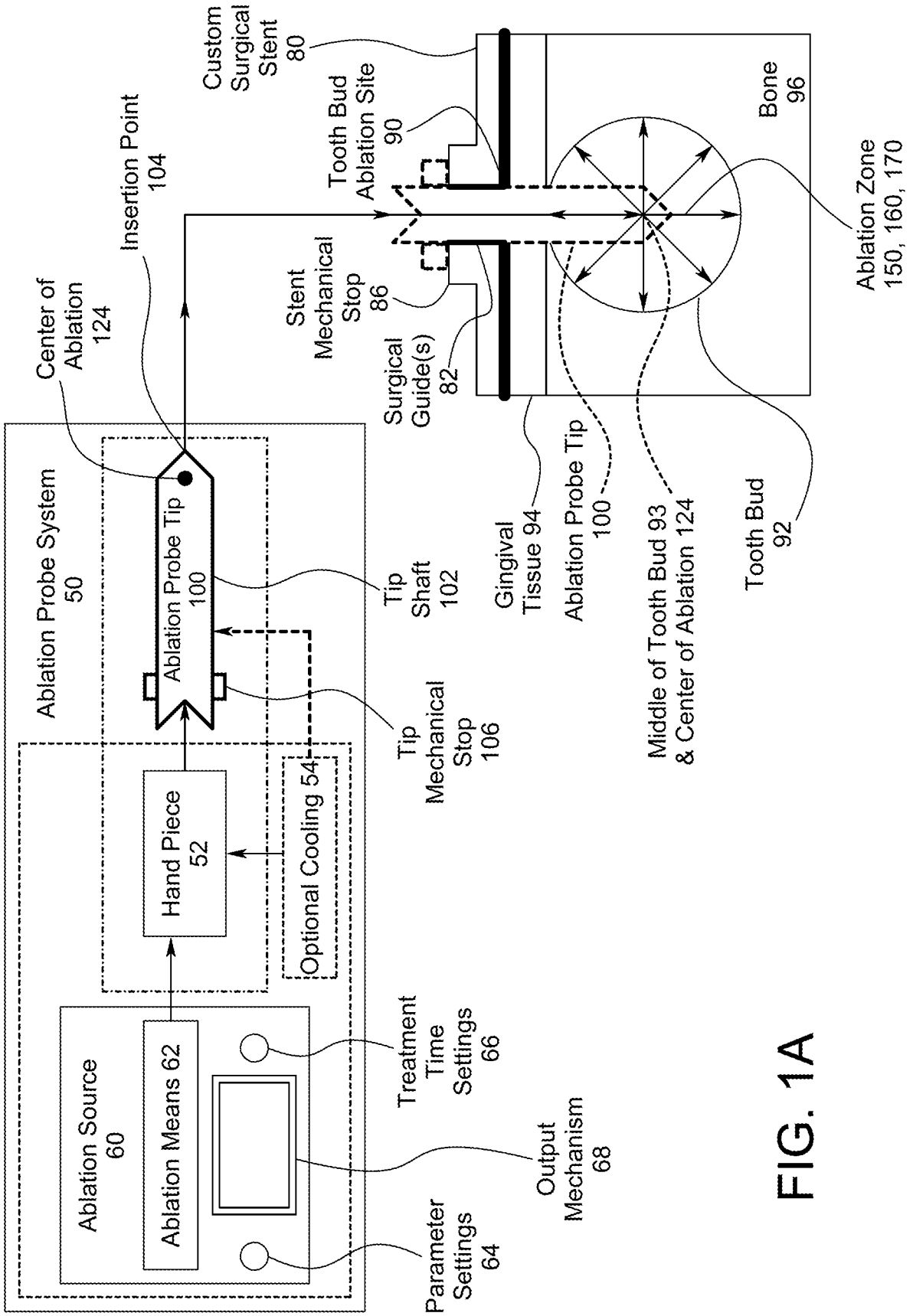


FIG. 1A

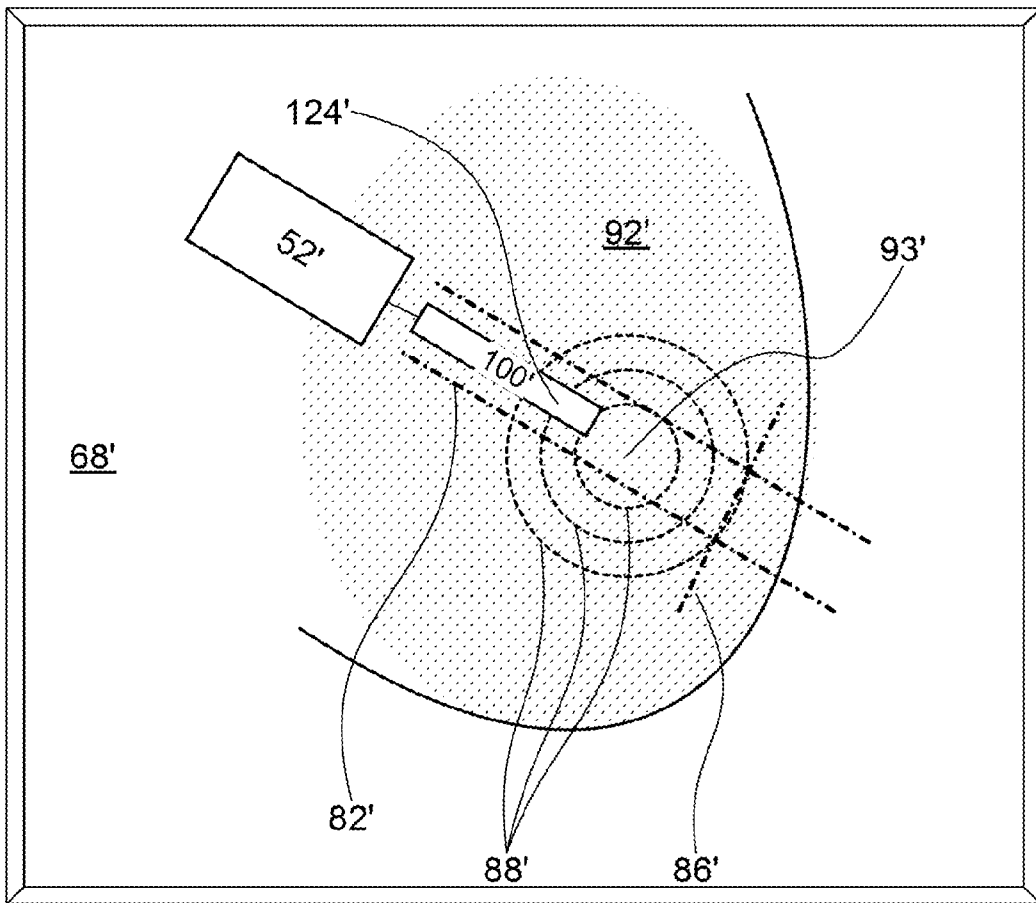


FIG. 1B





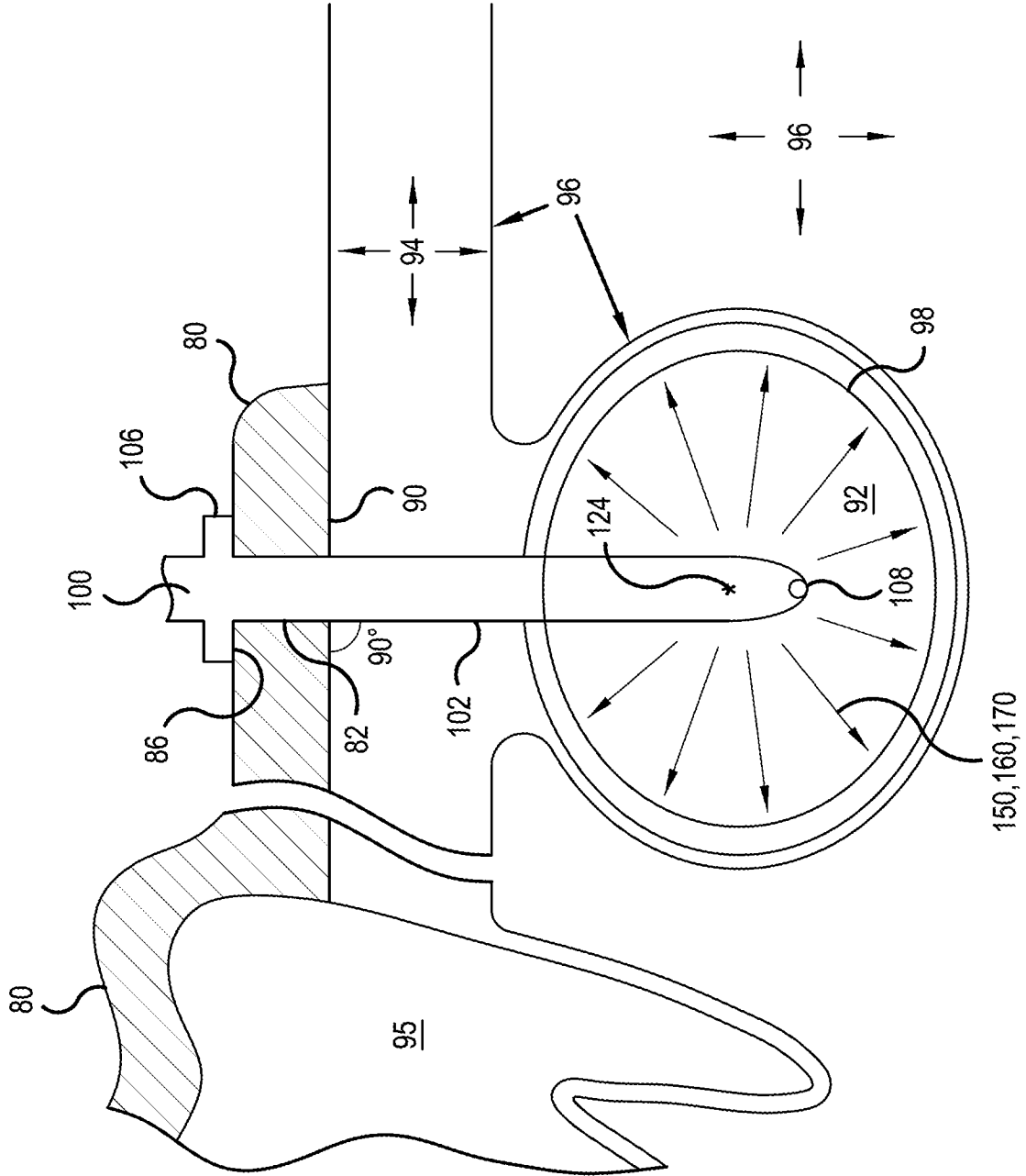


FIG. 3

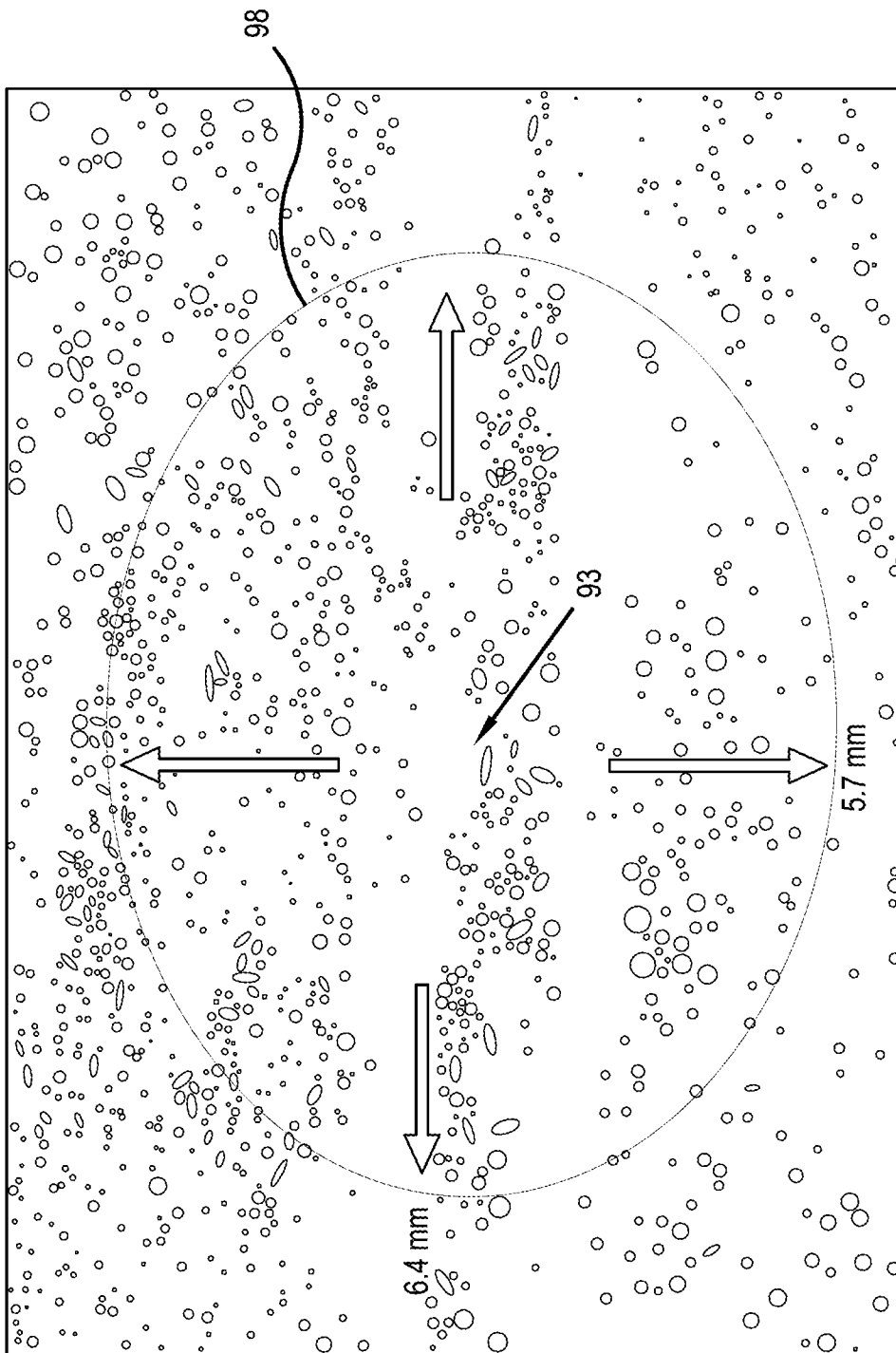


FIG. 4

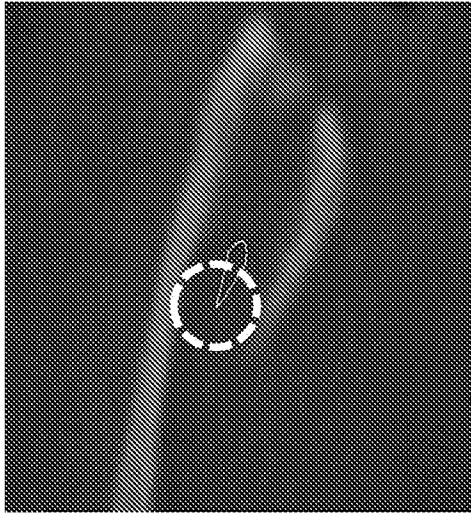


FIG. 5

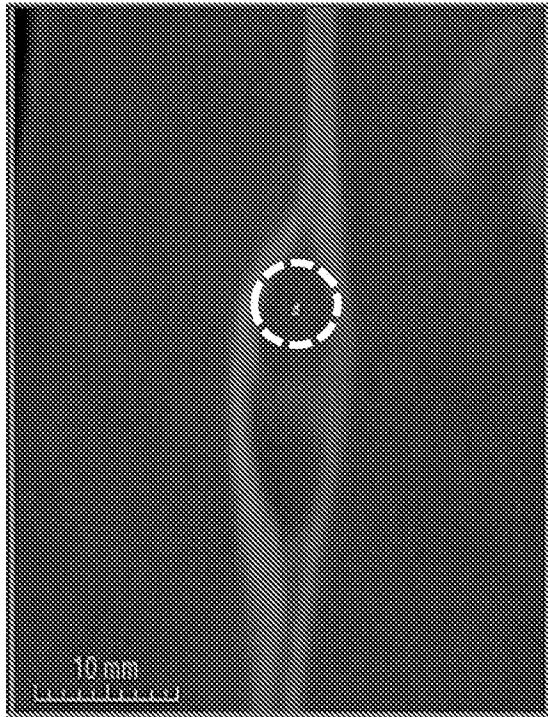


FIG. 6

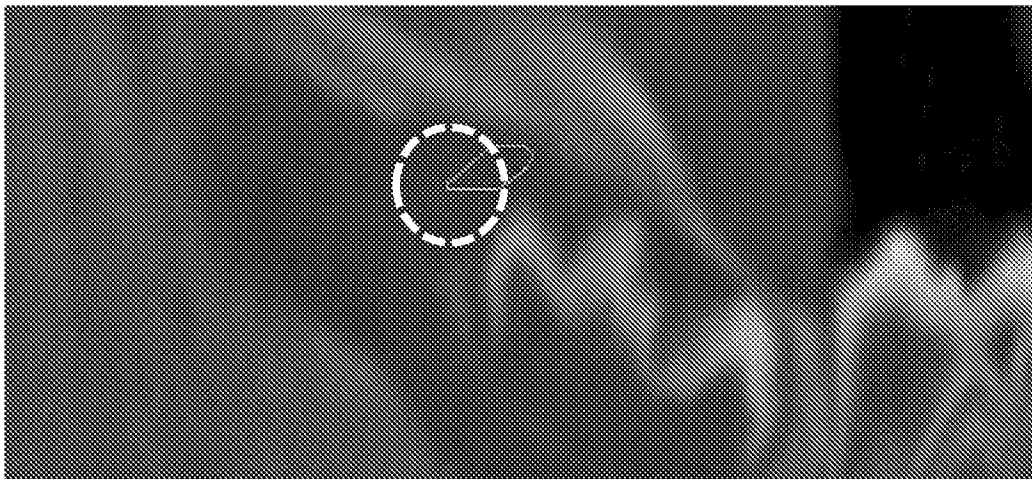


FIG. 7

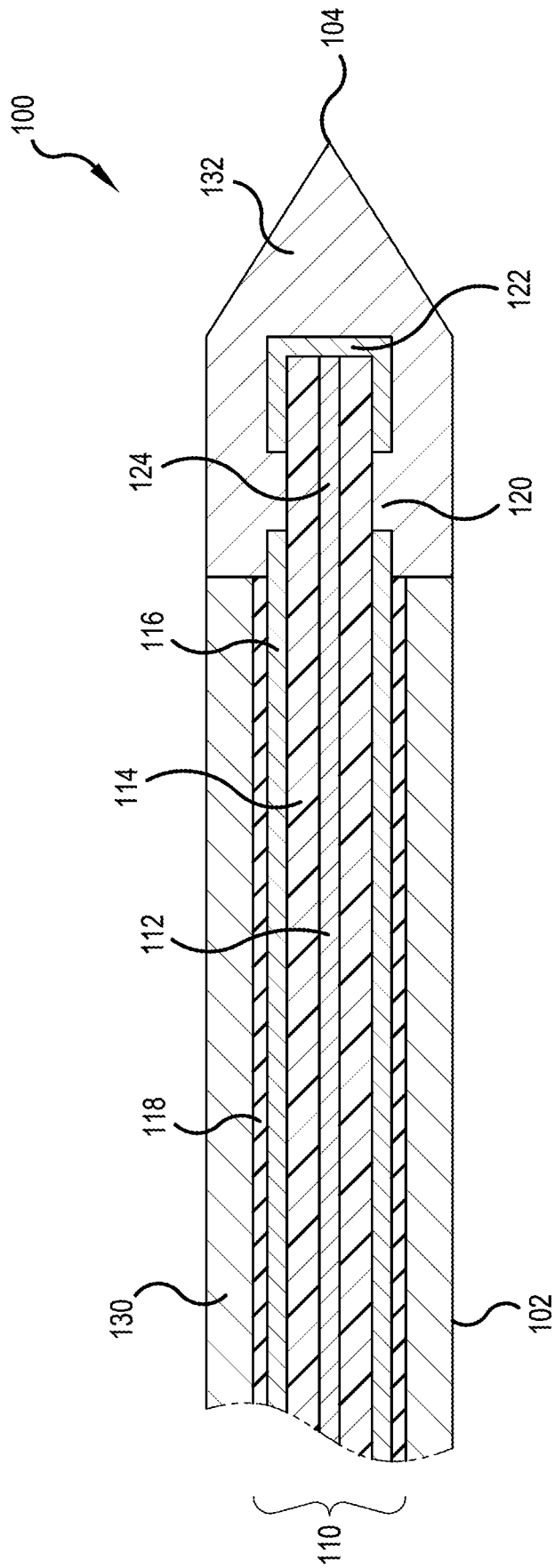


FIG. 8

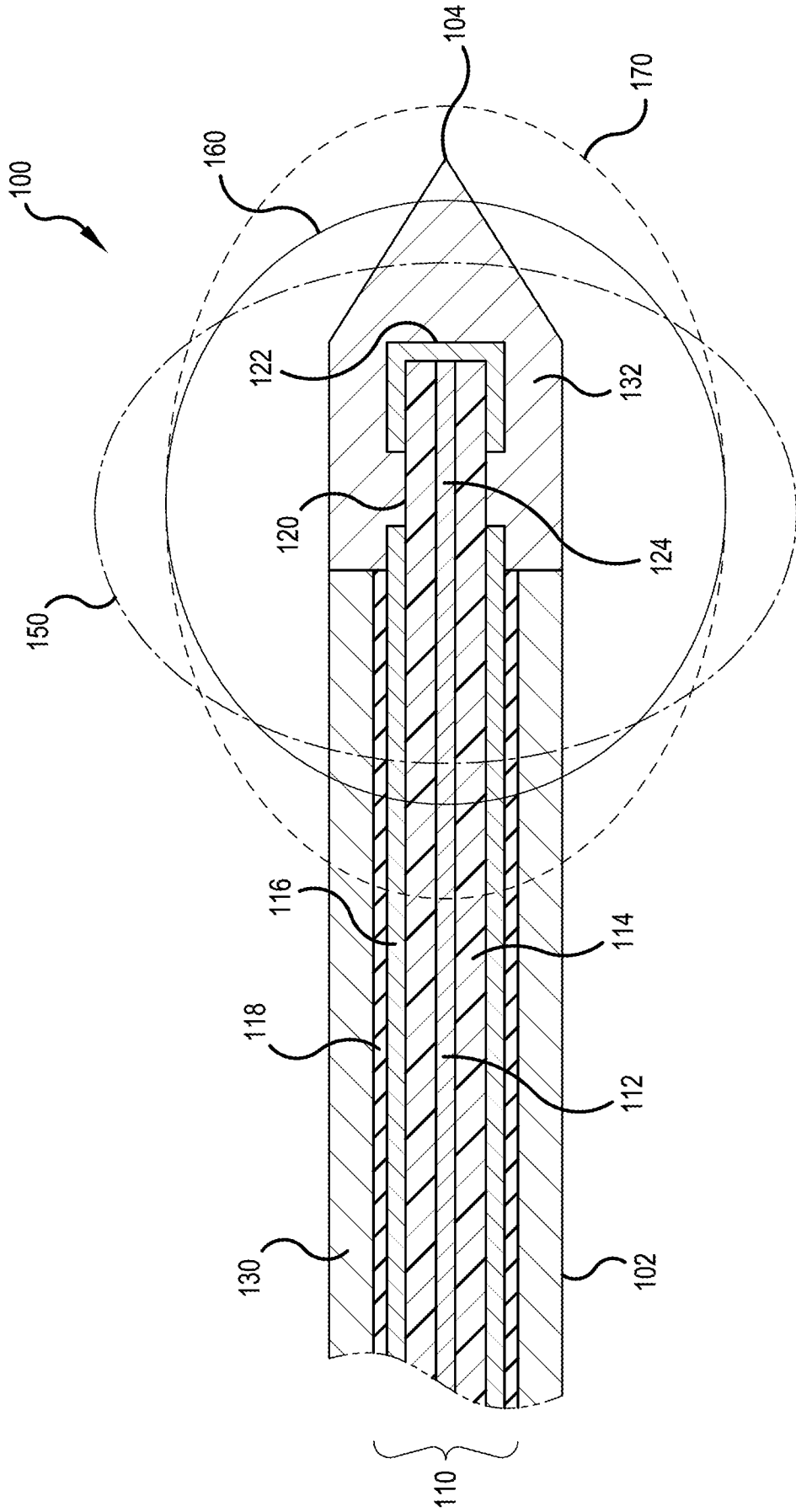


FIG. 9

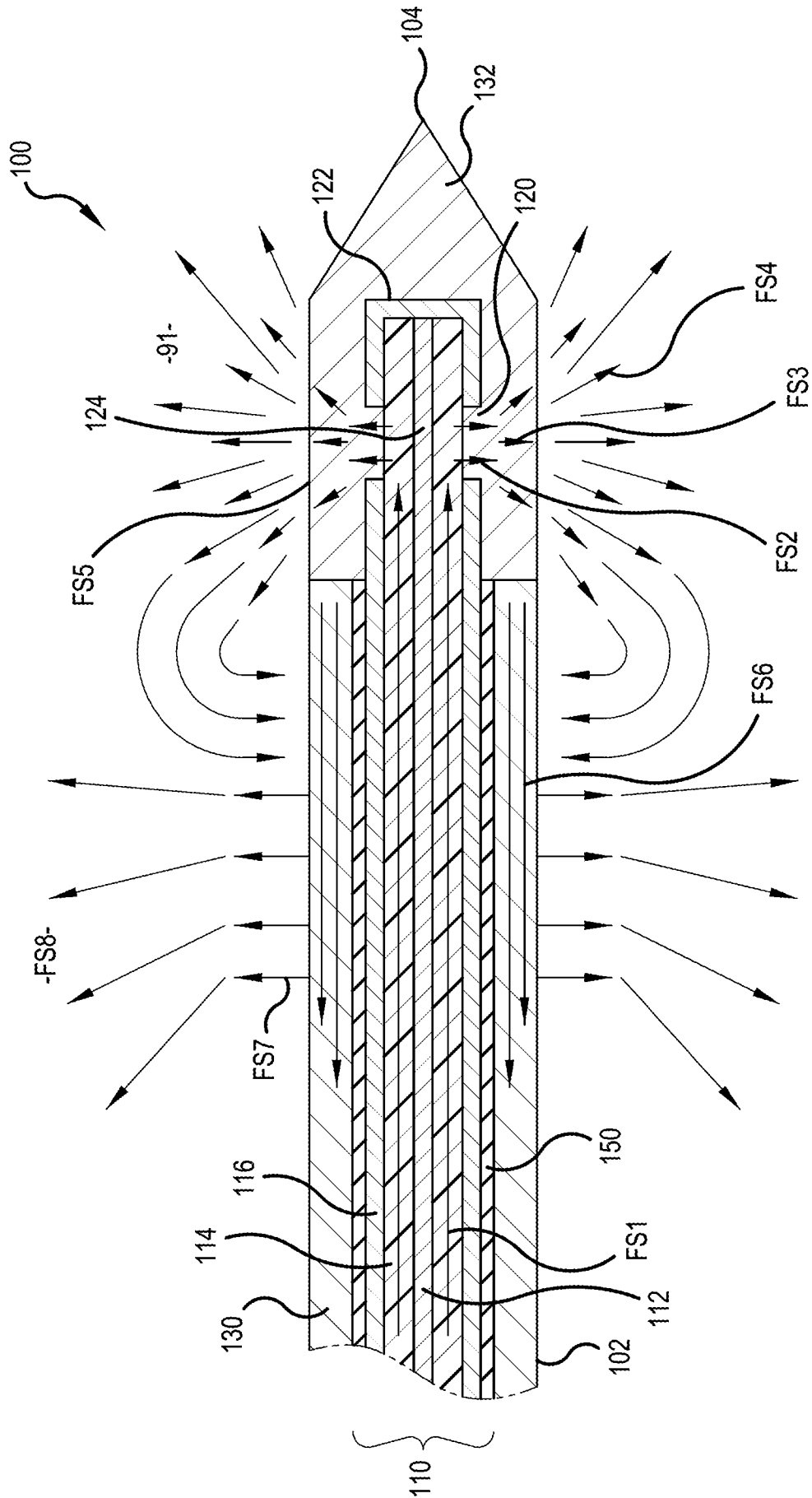


FIG. 10

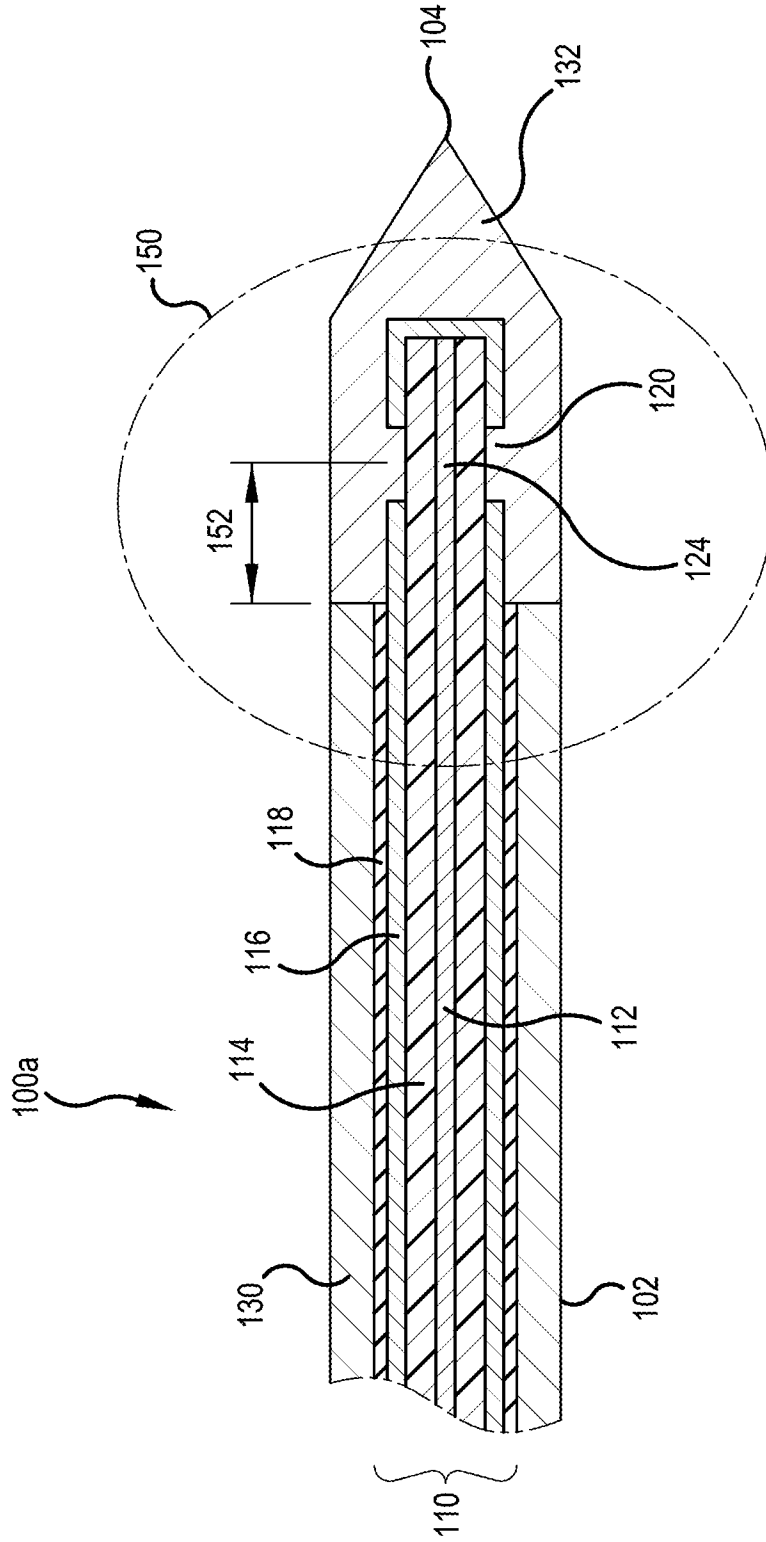


FIG. 11



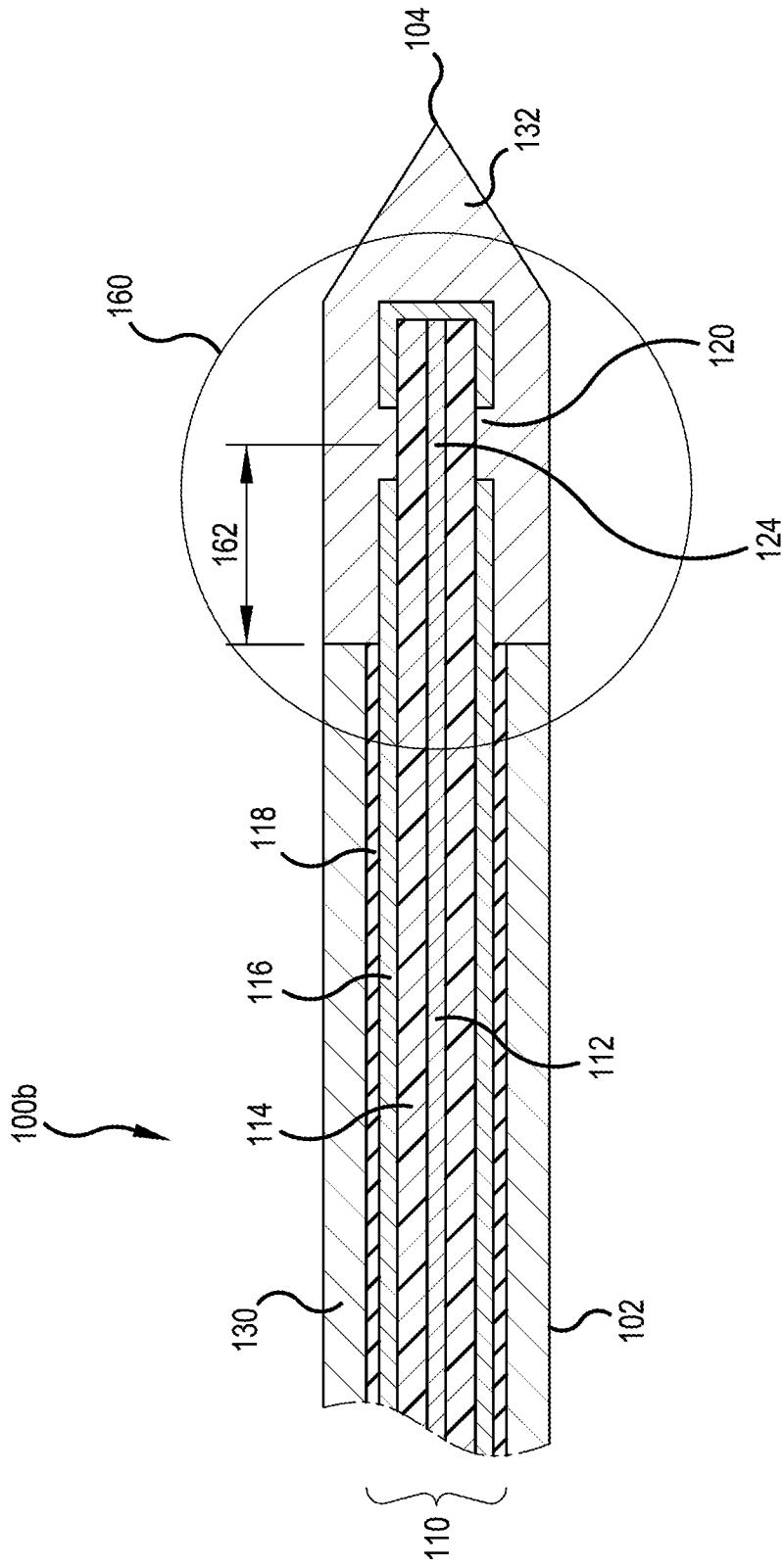


FIG. 12

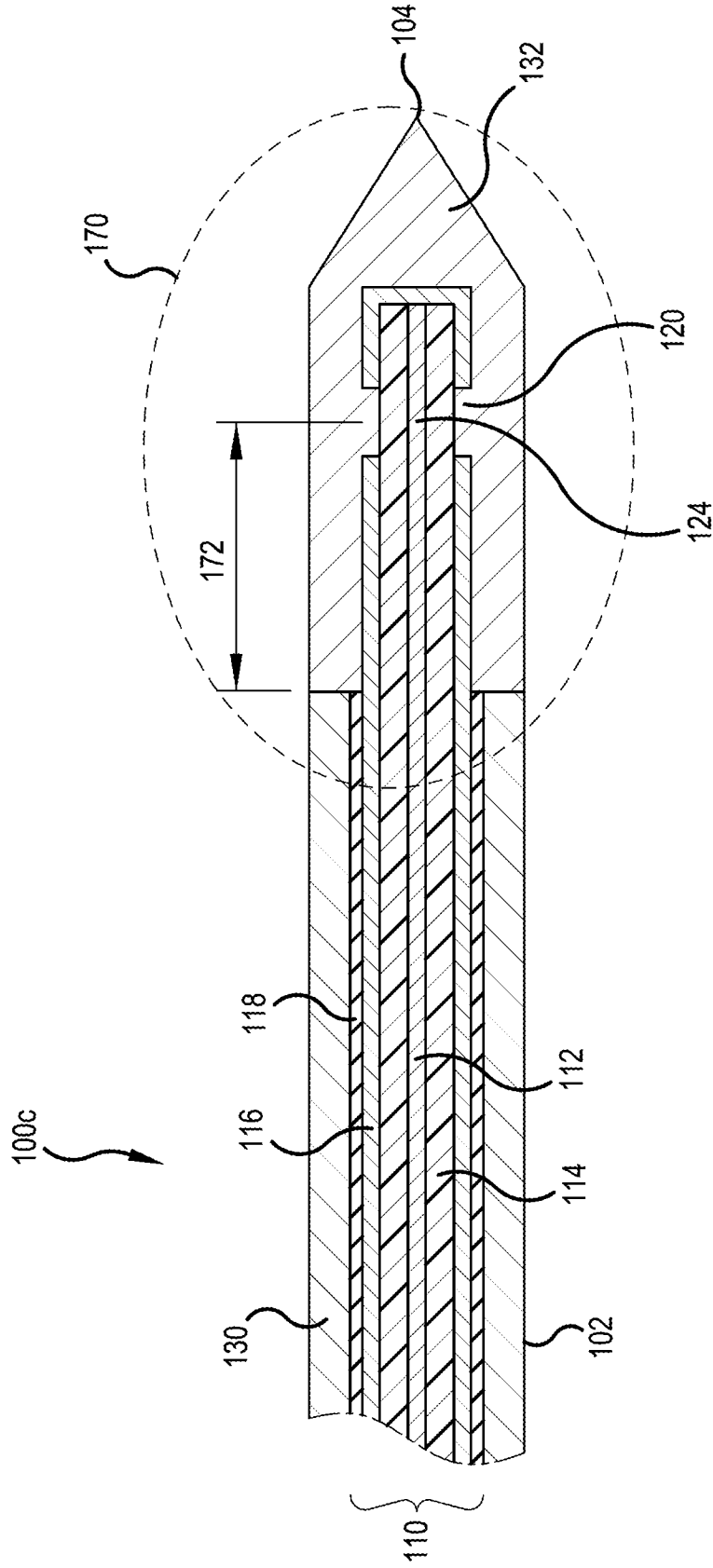


FIG. 13

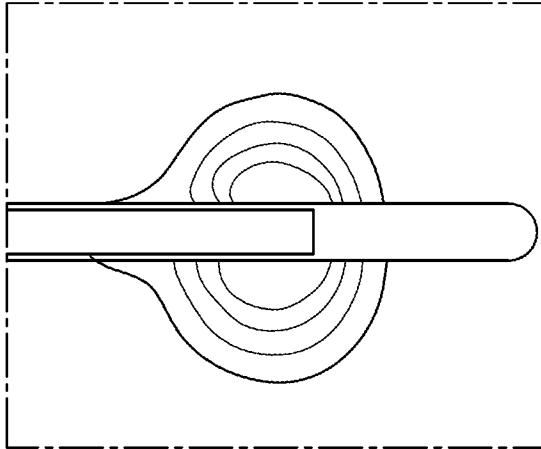


FIG. 14A

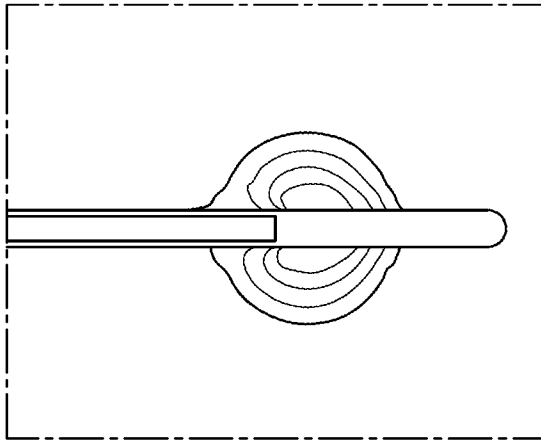


FIG. 14B

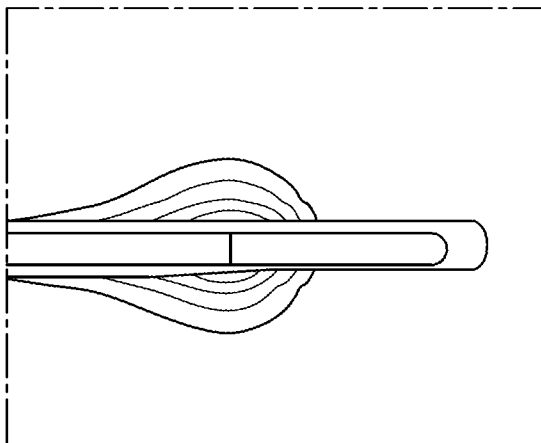


FIG. 14C

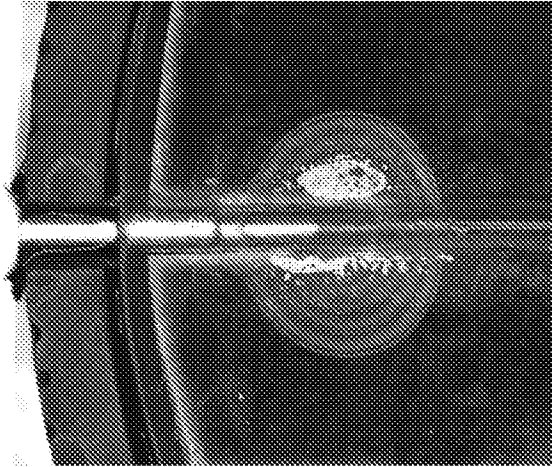


FIG. 15A

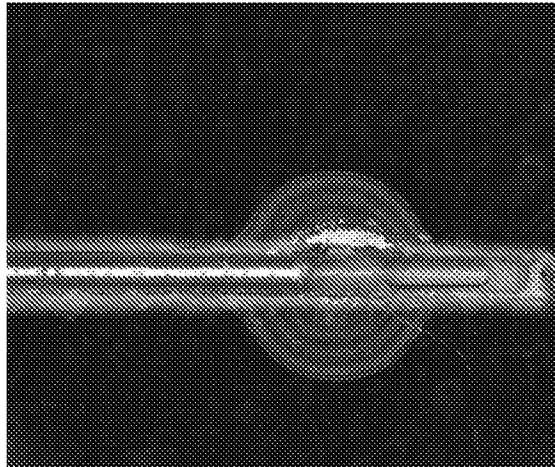


FIG. 15B

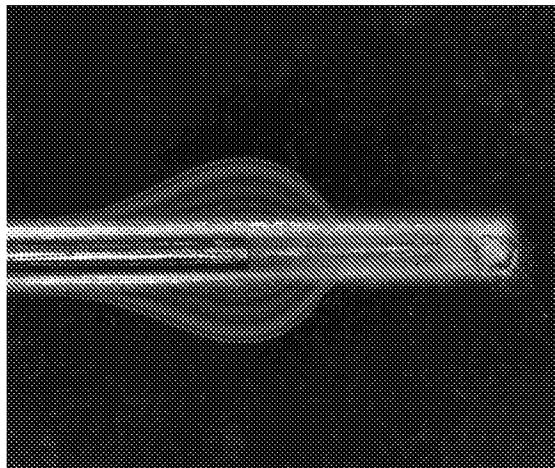


FIG. 15C

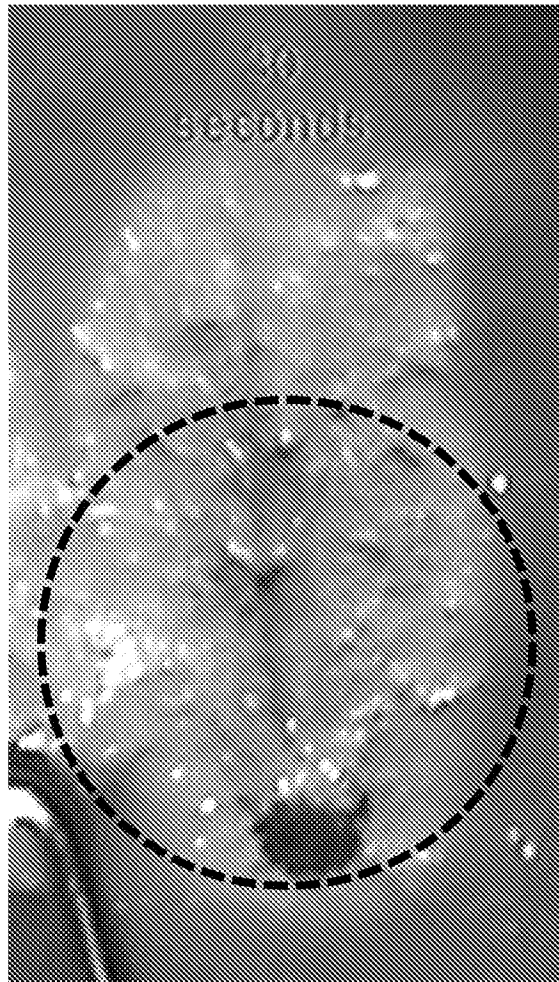


FIG. 16A

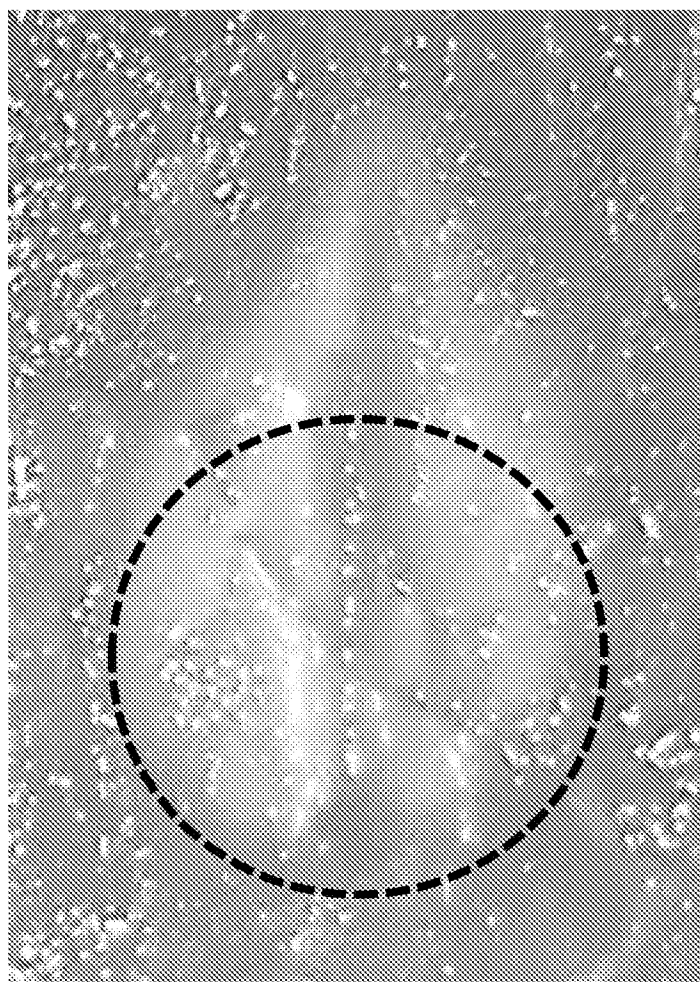


FIG. 16B

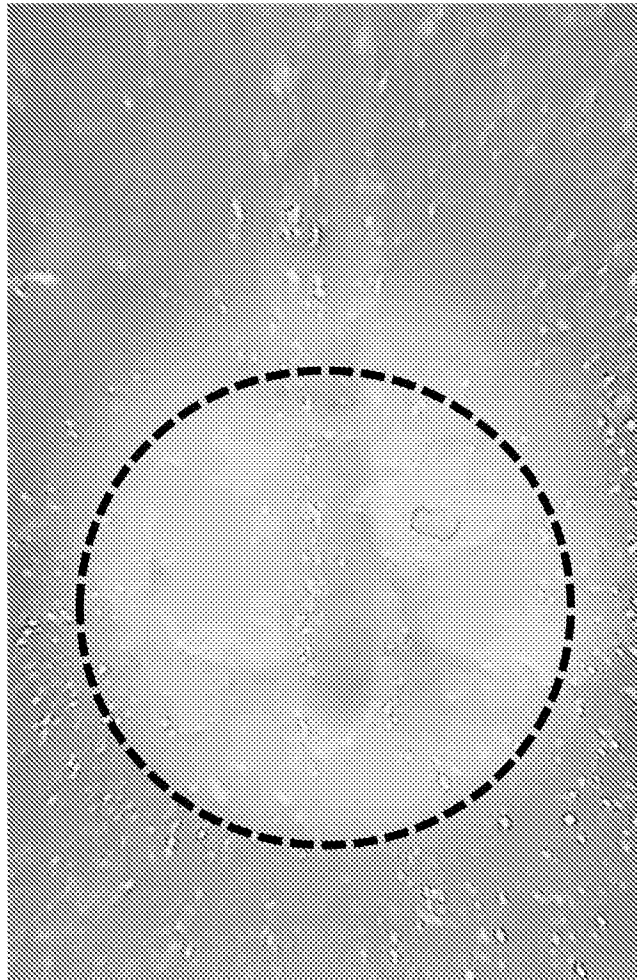


FIG. 16C

The data is fit to the following model:

$$R = \beta_0 + \beta_1 T + \beta_2 A + \beta_{12} TA + \varepsilon$$

Where:

$R$  = 60C Contour Roundness (Width/Length)

$T$  = Thermal Conductivity (W/mK at 0C)

$A$  = Probe Aperture (mm)

$\varepsilon$  = error

Source	Log Worth	PValue
Thermal Conductivity (W/mK at 0C)	11.844	0.00000
Aperture (mm)	3.470	0.00034
Thermal Conductivity (W/mK at 0C)*Aperture (mm)	0.960	0.10958

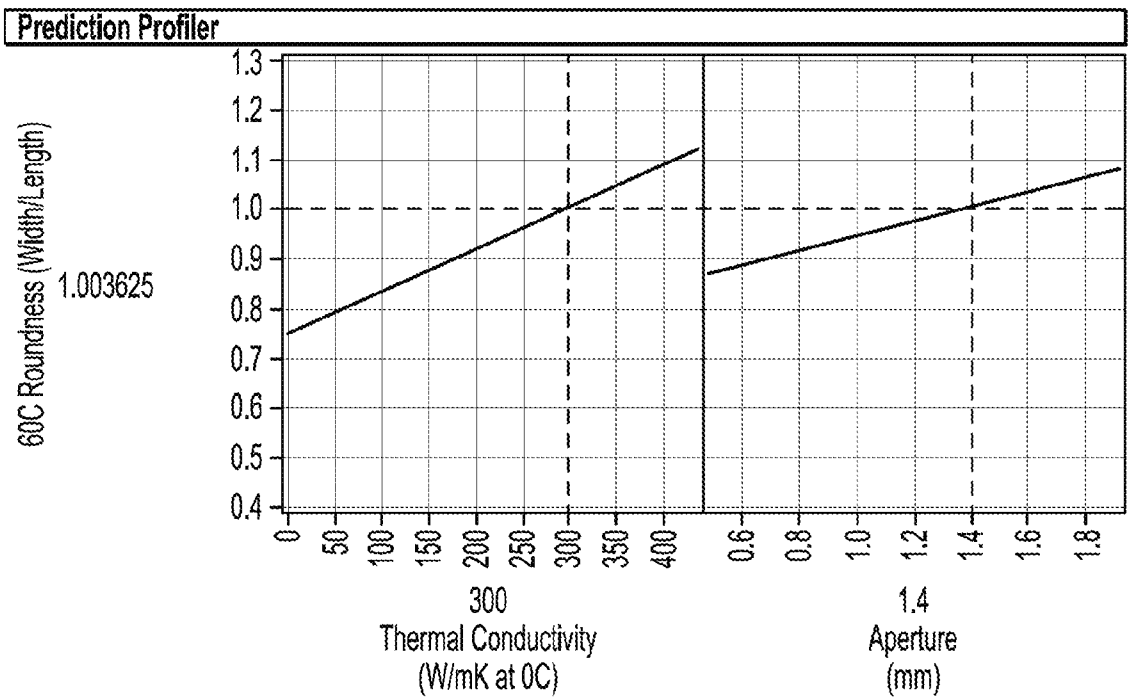


FIG. 17



$Area = \beta_0 + \beta_1 t + \beta_2 p + \beta_{12} tp + \beta_{11} t^2 + \epsilon$   
 where t is time and p is power. The model results are shown in the figure below.

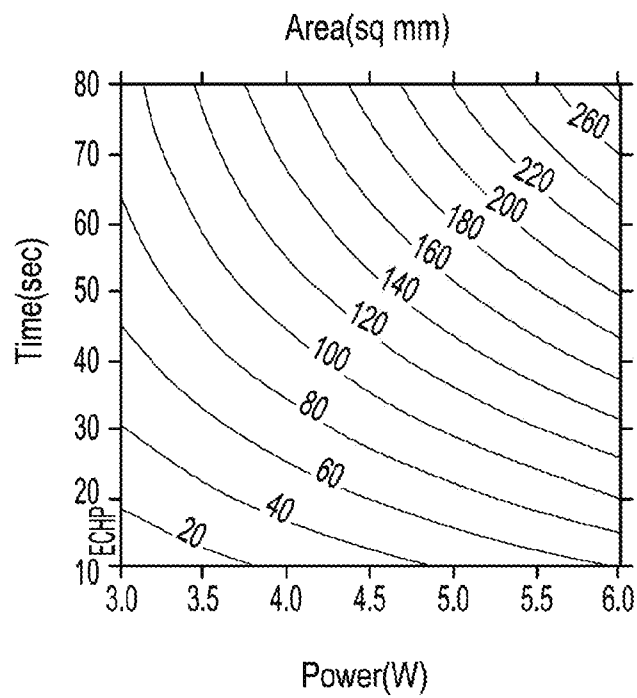


FIG. 18

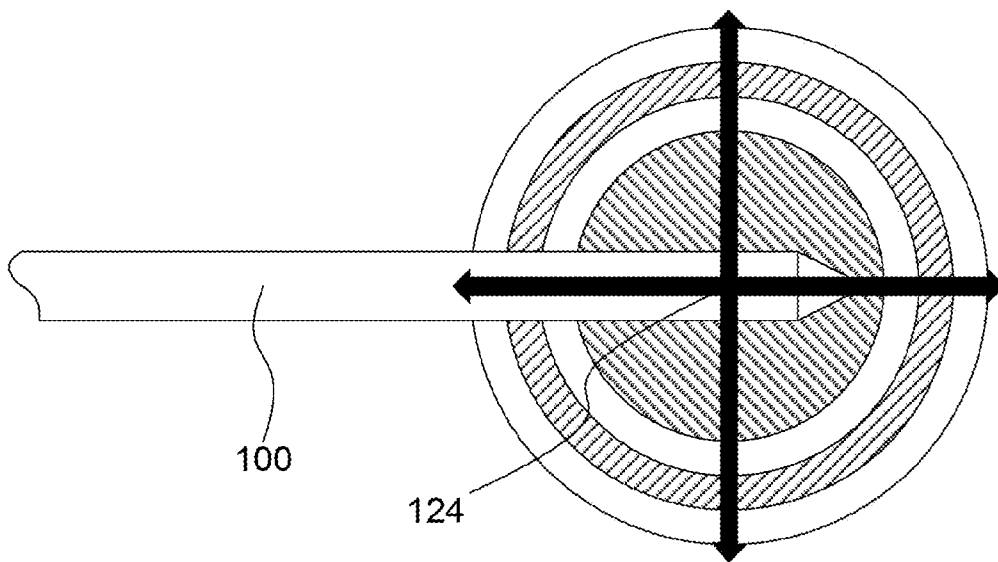


FIG. 19

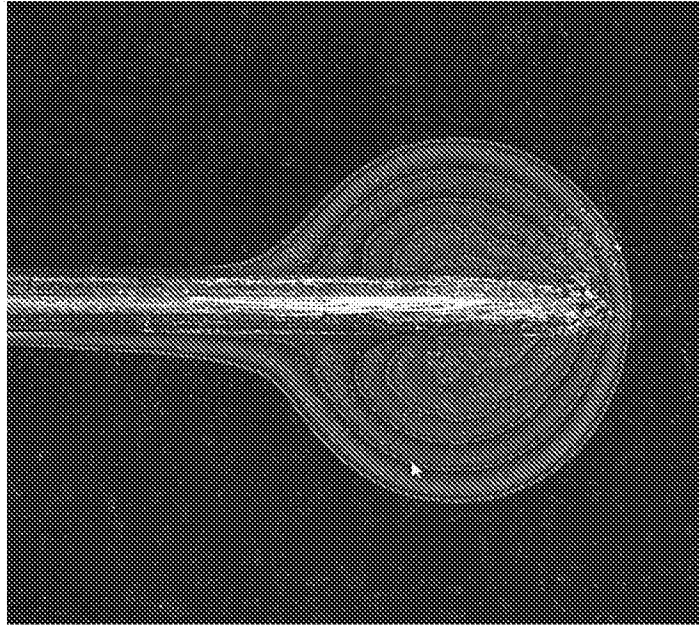


FIG. 20A

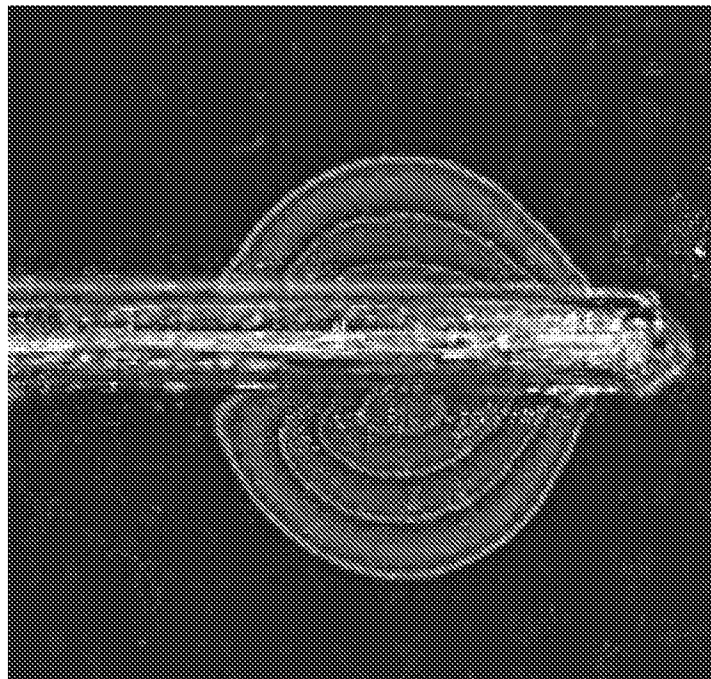


FIG. 20B

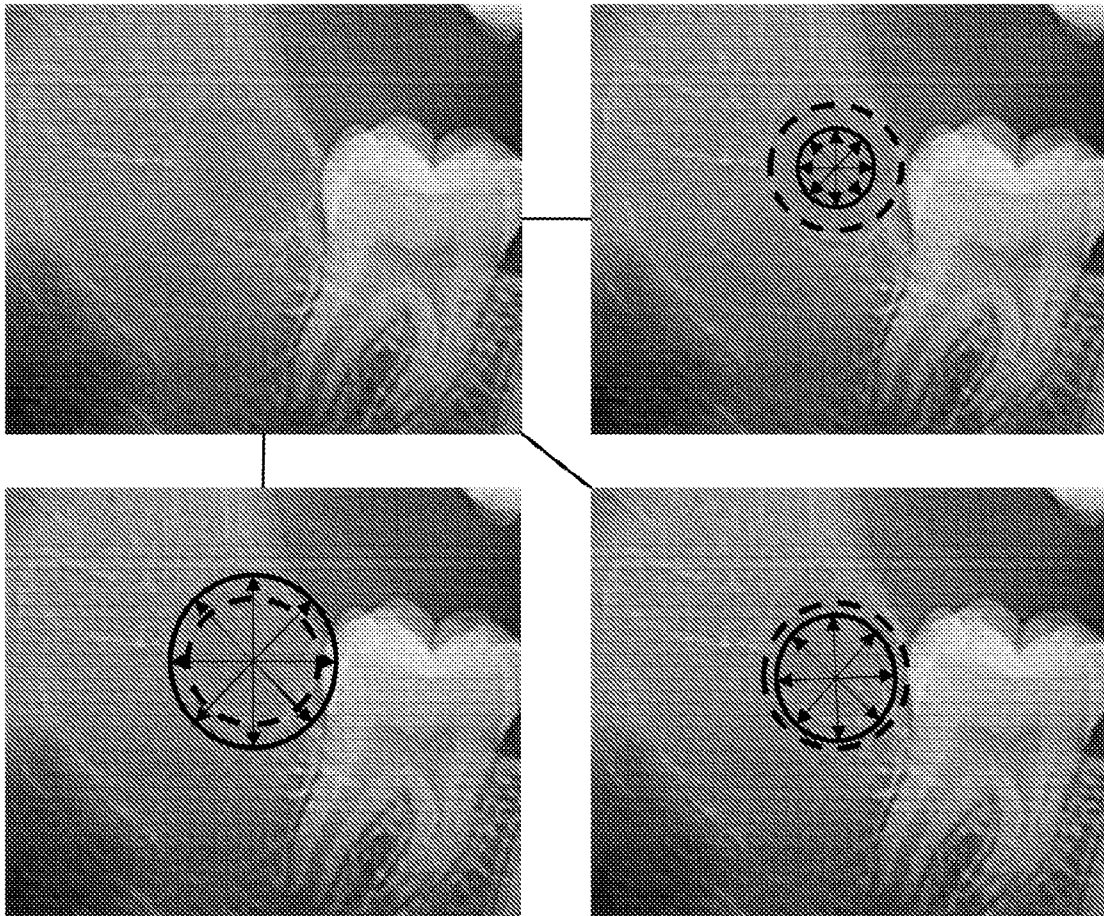


FIG. 21

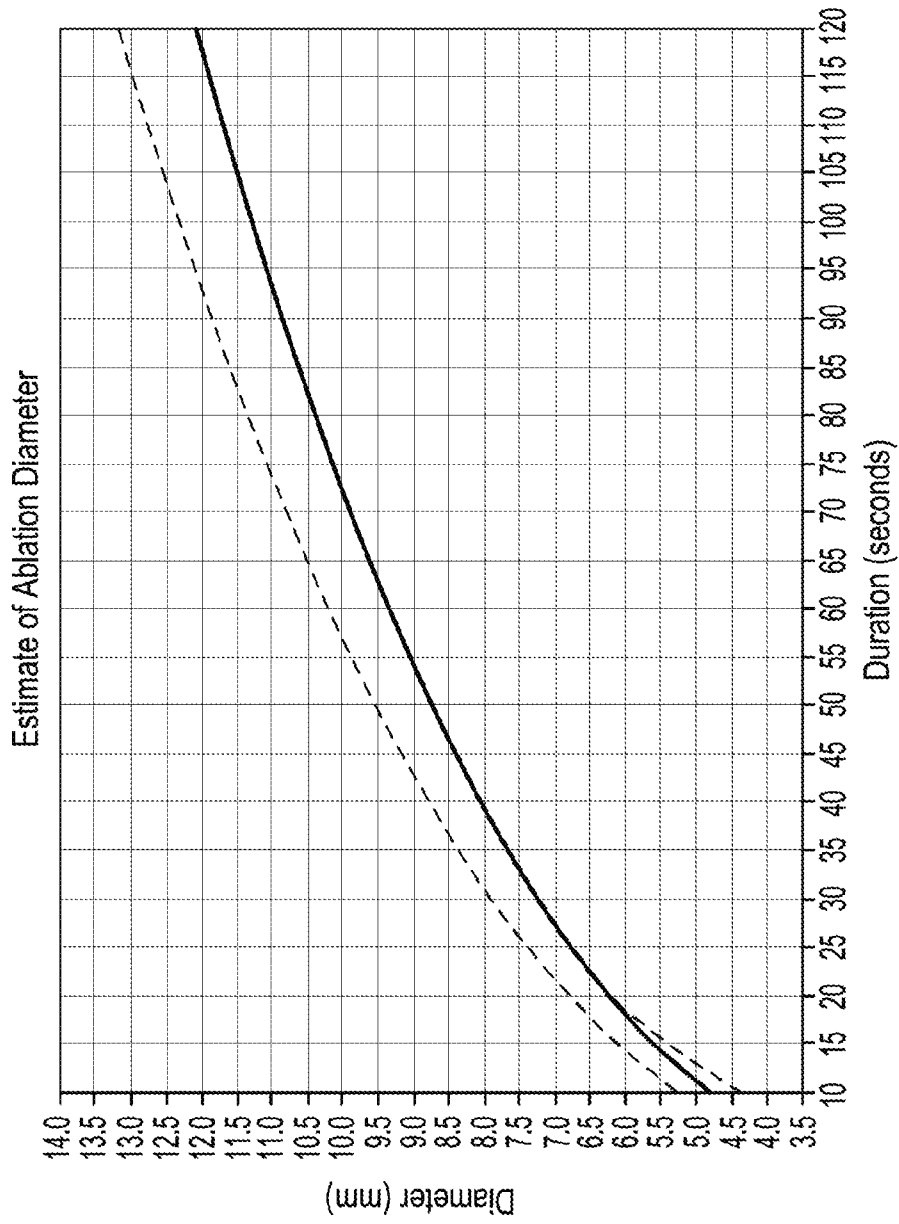


FIG. 22

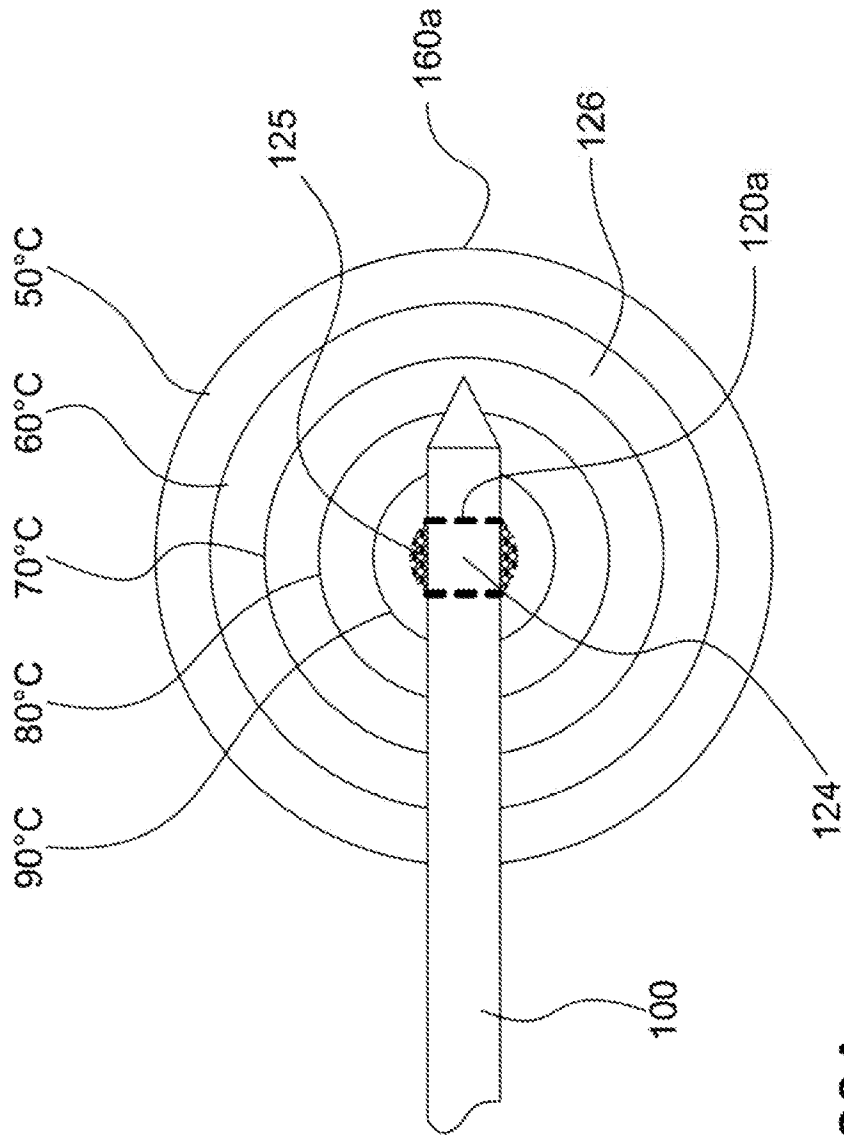


FIG. 23A

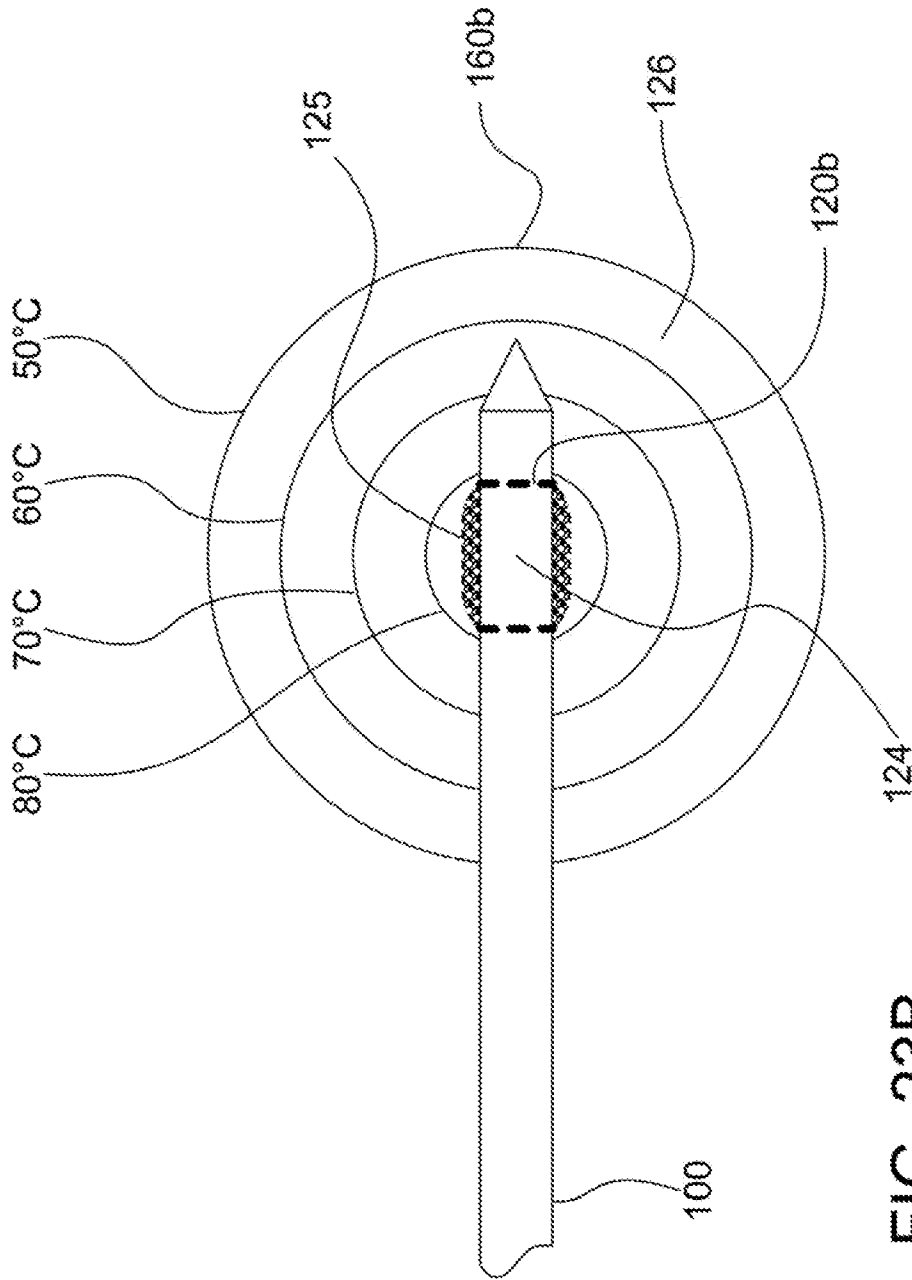


FIG. 23B

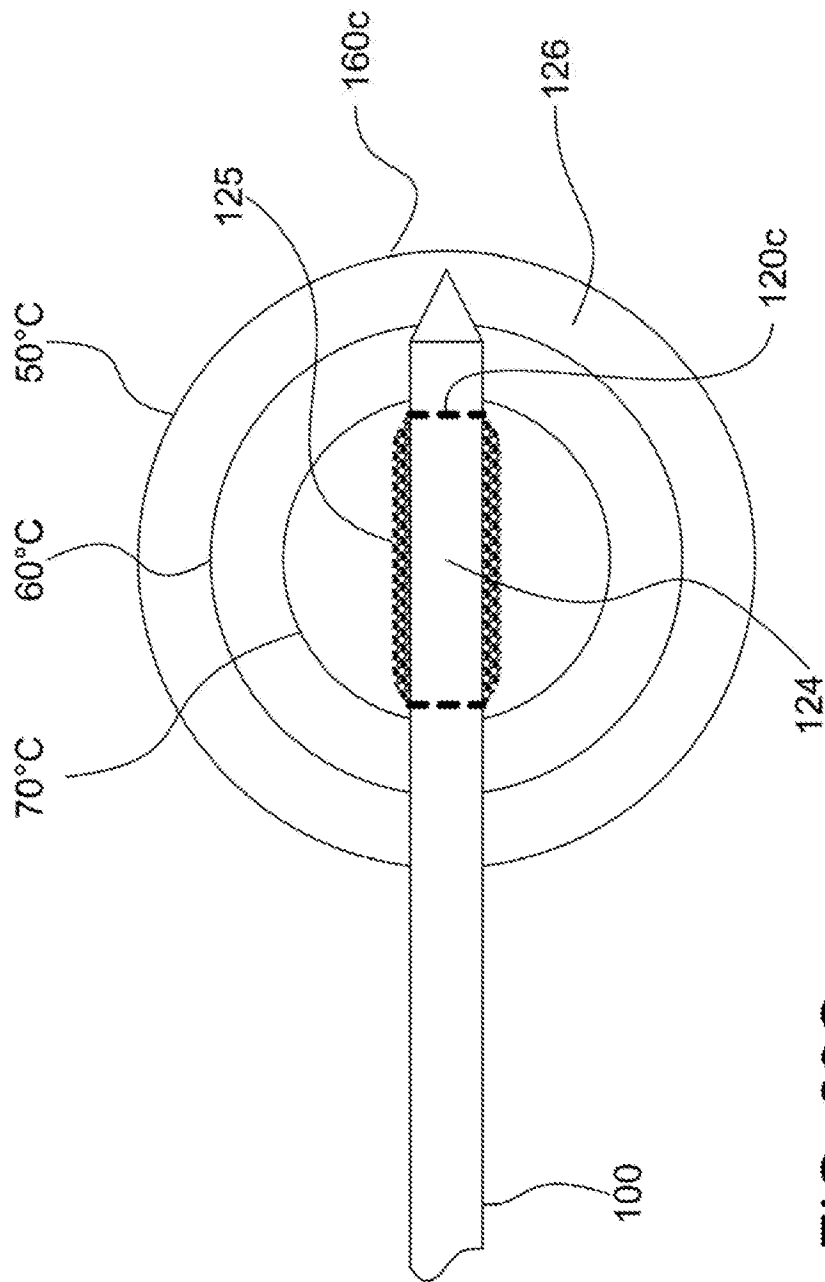


FIG. 23C



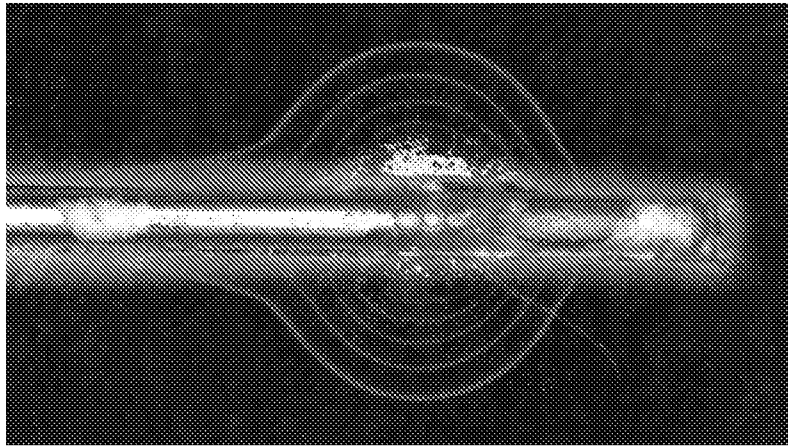


FIG. 24A

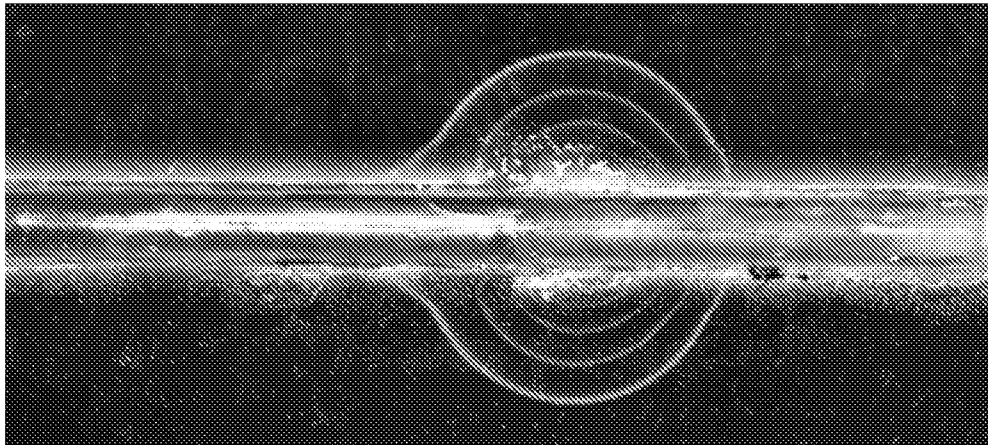


FIG. 24B

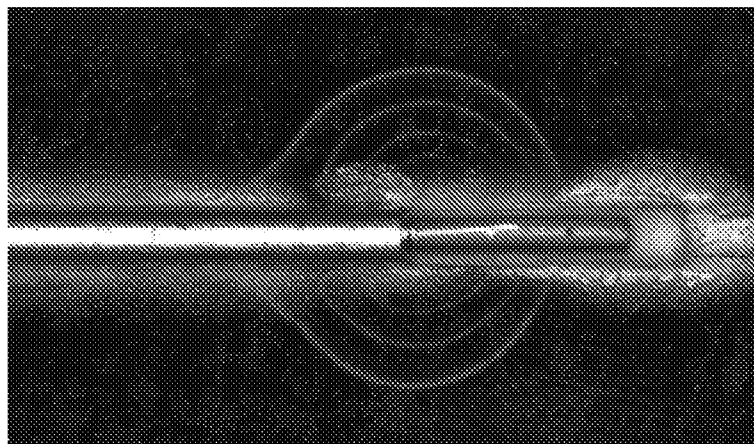


FIG. 24C